



Phantom TM Tunable Daylight

Product code: F002R030P

KEY FEATURES

- CCT from 5.000 to 6.500 K
- Motorized zoom
- Internal barndoor framing system (Patented): framing system offering four independently variable axial blades with proportional rotation of the assembly through 90°
- Green-Magenta Adjustment
- Ultra quiet operation: ideal for low noise applications
- Flicker-free operations with LEDs frequency controlled via DMX from 600 to 19.000 Hz
- Fan setting with 3 different options (low noise, auto silent, DMX)



SPECIFICATIONS

- RGBW color mixing
- CCT: all whites from 5.000 to 6.500 K
 - Green-Magenta adjustment
- Motorized zoom
- Barndoor framing system (Patented): framing system offering four independently variable axial blades with proportional rotation of the assembly through 90°.
- Electronic 16 bit dimming with 2 selectable curves, simulating halogen or discharge lamp based fixtures
- Flicker-free operation with LEDs frequency controlled via DMX from 600 to 19.000 Hz
- Fan setting with 3 different options (low noise, auto silent, DMX)
- IP rating: 20

LIGHT SOURCE

- RGBW multiple COB LEDs
- Average LED lifetime: a minimum of 80% of the initial luminous flux will be maintained after approx. 50.000 hours of usage (50.000 LM80)

PHYSICAL SIZE

- Length: 376.5 mm (14.8 in)
- Height: 730.1 mm (28.7 in)
- Width: 551.3 mm (21.7 in)
- Weight: 30 Kg (66.1 lbs)

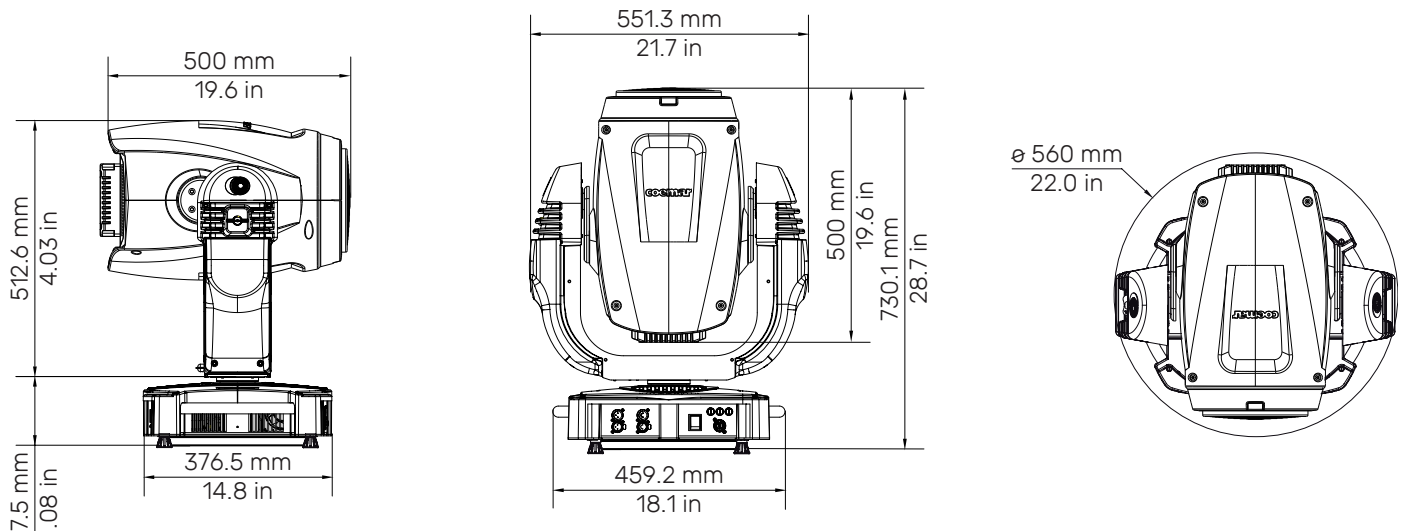
CONTROL PROTOCOL AND PROGRAMMING

- USITT DMX512A
- DMX channels: 23
- Setting, addressing, testing and measurements via LCD display

ELECTRICAL SPECIFICATIONS AND CONNECTIONS

- AC power: 90-200 V, auto-sensing, 50/60 Hz
- In and Out PowerCon connectors with 2 m (6.6 ft) PowerCon cable without power plug
- Max power consumption: 400 W
- Power consumption: 1.69 A at 230 V, 4.30 A at 90 V - cosφ 0.94
- DMX data in/out: 5 pin locking XLR

DRAWING SIZE



DMX CHARTS

23 channels	
1	x axis, base movement (pan) corse
2	x axis, base movement (pan) fine
3	y axis, base movement (tilt) corse
4	y axis, base movement (tilt) fine
5	movement speed
6	master dimmer
7	dimmer fine
8	CCT
9	green saturation
10	led mode
11	red
12	green
13	blue
14	white
15	strobe effect
16	zoom
17	framing shutter 1
18	framing shutter 2
19	framing shutter 3
20	framing shutter 4
21	framing rotation
22	special function
23	reset, display on/off, autofocus