



Risalto 2.000 W

Product code: PC04102 (PC) | PC04103 (Fresnel)

KEY FEATURES

- Light source: halogen lamp 2.000 W
- PC or Fresnel lens
- 9° - 47° proportional zoom (with Fresnel lens)
- 5° - 65° proportional zoom (with PC lens)



SPECIFICATIONS

- Fresnel or PC lenses
- Zoom range from 9° to 47° (with Fresnel lens)
- Zoom range from 5° to 65° (with PC lens)
- Color frame holder
- IP rating: 20

LIGHT SOURCE

- Halogen lamp (2.000 W)

PHYSICAL SIZE

- Length: 579 mm (22.7 in)
- Width: 332 mm (13.1 in)
- Height: 297.5 mm (11.7 in) - with bracket: 473 mm (18.6 in)
- Weight: PC: 12.7 Kg (16.3 lbs) | Fresnel: 11.5 Kg (25.0 lbs)

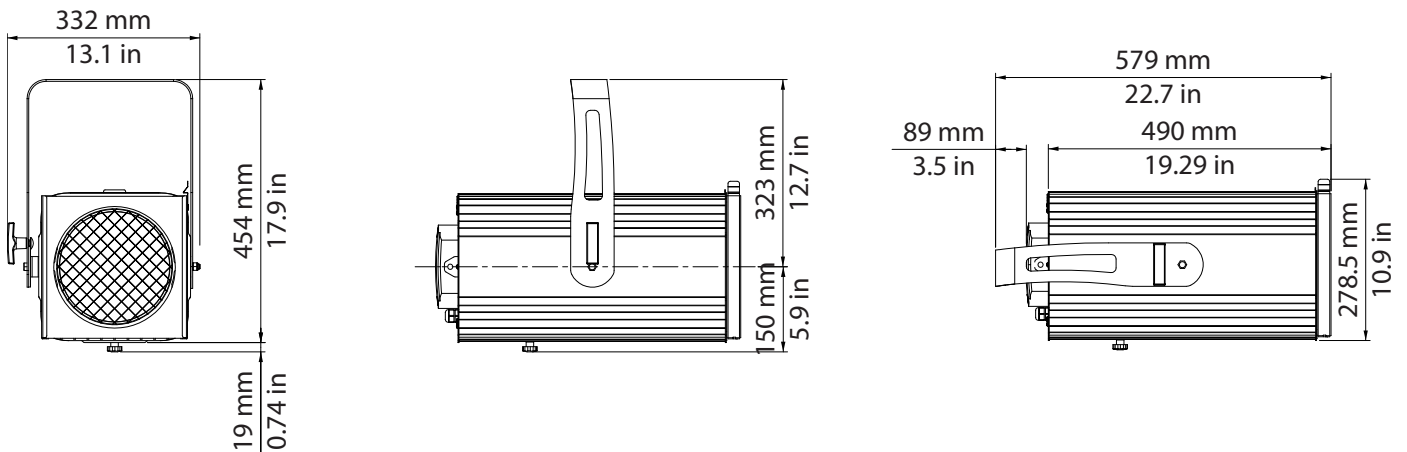
ELECTRICAL SPECIFICATIONS AND CONNECTIONS

- AC power: 230-240 V
- Max power consumption: 2.000 W
- Socket: GY16

ACCESSORIES

- 4-leaf barndoor
- Lamp 2.000 W, 230 V

DRAWING SIZE



PHOTOMETRIC DATA

The Risalto Photometric Data may be downloaded from www.coemar.com.

ACCESSORIES

Code	Description
AC04203	4-leaf barndoor
L105020	Lamp 2000 W, 230 V