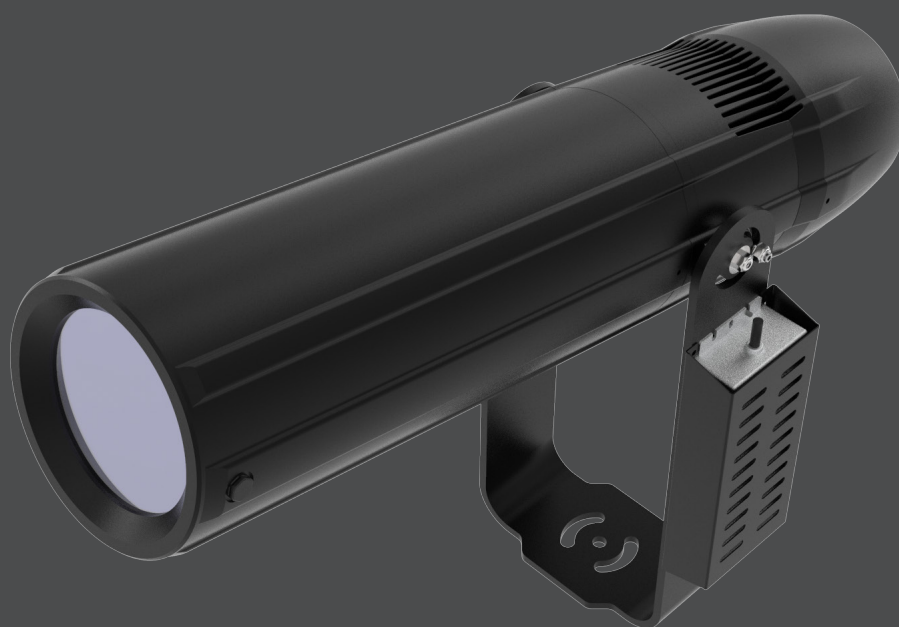


PHOTOMETRICAL DATA

LEDko EXT

FullSpectrum RGBLA

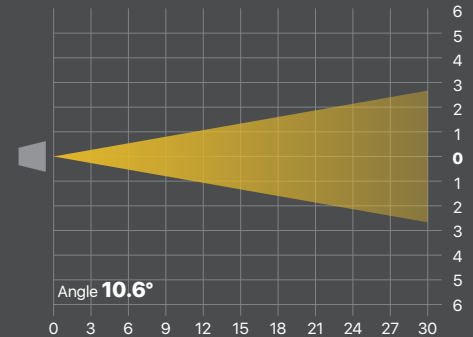


LEDko EXT FullSpectrum RGBLA

Optic: Profile Zoom 10°-25°

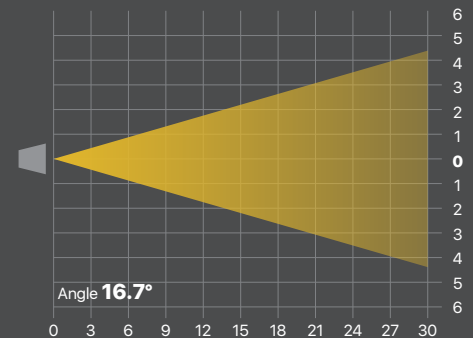
Zoom: Spot

Distance (m)	3	6	9	15	21	27	33	39	45	50
Red	4.994	1.248	555	200	102	62	41	30	22	18
Green	10.738	2.684	1.193	430	219	133	89	64	48	39
Blue	2.288	572	254	92	47	28	19	14	10	8
Lime	25.200	6.300	2.800	1.008	514	311	208	149	112	91
Amber	13.531	3.383	1.503	541	276	167	112	80	60	49
Full	35.350	8.838	3.928	1.414	721	436	292	209	157	127
3.200K	35.719	8.930	3.969	1.429	729	441	295	211	159	129
5.600K	35.813	8.953	3.979	1.433	731	442	296	212	159	129
Diameter ø (m)	0.56	1.11	1.67	2.78	3.89	5.00	6.12	7.23	8.34	9.27



Zoom: Medium

Distance (m)	3	6	9	12	15	18	21	24	27	30
Red	2.413	603	268	151	97	67	49	38	30	24
Green	4.406	1.102	490	275	176	122	90	69	54	44
Blue	900	225	100	56	36	25	18	14	11	9
Lime	10.763	2.691	1.196	673	431	299	220	168	133	108
Amber	5.775	1.444	642	361	231	160	118	90	71	58
Full	14.863	3.716	1.651	929	595	413	303	232	183	149
3.200K	15.125	3.781	1.681	945	605	420	309	236	187	151
5.600K	15.506	3.877	1.723	969	620	431	316	242	191	155
Diameter ø (m)	0.88	1.77	2.65	3.54	4.42	5.30	6.19	7.07	7.95	8.84



Zoom: Flood

Distance (m)	3	6	9	12	15	18	21	24	27	30
Red	1.075	269	119	67	43	30	22	17	13	11
Green	2.294	573	255	143	92	64	47	36	28	23
Blue	469	117	52	29	19	13	10	7	6	5
Lime	6.056	1.514	673	379	242	168	124	95	75	61
Amber	3.244	811	360	203	130	90	66	51	40	32
Full	7.613	1.903	846	476	305	211	155	119	94	76
3.200K	7.950	1.988	883	497	318	221	162	124	98	80
5.600K	8.306	2.077	923	519	332	231	170	130	103	83
Diameter ø (m)	1.24	2.48	3.72	4.96	6.20	7.44	8.68	9.92	11.16	12.40

