



LEDko™ Profile FullSpectrum 6

Product code:
F002Q030A

Last update:
28/03/2023



LEDko TM Profile FullSpectrum 6

Introducing

● The motorized version of the current LEDko Led Profile. This fixture has been developed after our customers' recurrent requests, who were looking for a more versatile solution in order to reduce the burden of manually adjusting the setting of the fixtures once mounted on the rigging infrastructure. Available in two different versions: VariWhite and FullSpectrum 6.

Key Features

- Red, Green, Blue, Cyan, Lime, Amber light source, 20 bit color mixing
- Color mixing with hue and saturation control
- Green-Magenta adjustment
- CRI > 95
- CCT all whites from 2.700 K → 10.000 K
- High lumen flux and flat field
- Motorized zoom from 13° to 38°
- Motorized framing system, adjustable over 90°
- Custom color on request (optional)
- European Conformity certification

General	
● LED Source	RGBCLA COB LED (Red, Green, Blue, Cyan, Lime, Amber) - Color mixing with hue and saturation control
● CCT Range	● ● ● ● ● 2.700 K → 10.000 K
● Color Rendition Average	CRI > 95
● Green-Magenta adjustment	Yes
● Dimming	Electronic 16 bit dimming with 2 selectable curves, simulating halogen or discharge lamp based fixtures
● Framing System	Four blade motorized framing system, each shutter blade is adjustable for radial position and angle 90° rotation of the entire system
● Strobe	Synchronized, random or pulse electronic strobe
● Available Optics	Motorized zoom from 13° to 38°
● Camera flicker control/Hz range	Flicker-free operation with LEDs frequency controlled via DMX from 600 to 20.000 Hz
● Calibrated Cob	Yes
● L80 Rating (hours to 80% output)	50.000 Hours
● Pan / Tilt	Pan 540°, Tilt 270°, 16 bit

Electrical	
● Voltage Input	90-240 V, 50/60 Hz, auto-sensing
● Power Consumption	400 W Maximum - 1.74 A at 230 V - cosφ 0,9
● Power Connection	In and Out PowerCON TRUE1 connectors with 1.5 m (4.9 ft) PowerCon cable without power plug
● Data Connection	In and Out DMX 5 pin locking XLR connectors

Thermal	
● Ambient Operating Temperature	0°C - +40°C (32°F - 104°F)
● Fan (controllable)	Fan setting with 3 different options (low, auto, DMX)

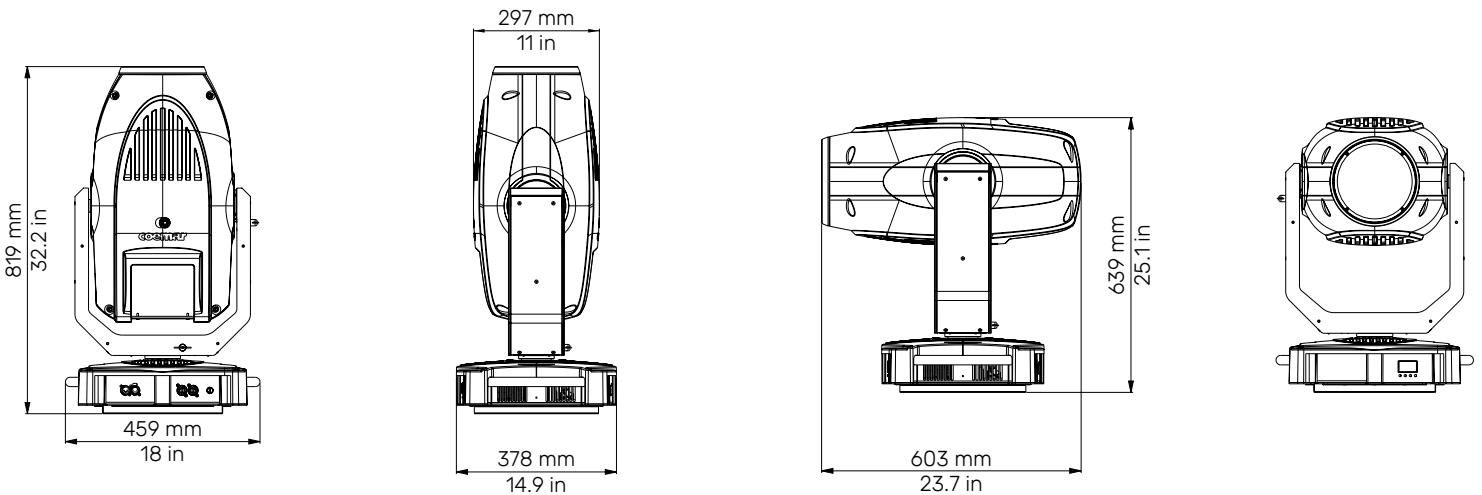
Control	
● Protocols	DMX-512, RDM (Remote Device Management), Wireless (optional by LumenRadio)
● RDM configuration	Yes
● DMX Channels	32
● Display	Graphic OLED with on-board selector for quick setting

Physical	
● Movement	Tilt: 270° - 16bit, Pan: 540° - 16bit Automatic repositioning Mechanical Pan/Tilt lock for safe transportation and maintenance
● Materials	Aluminium and flame-retardant technopolymer reinforced with fiberglass
● Weight	36 Kg / 79.36 lbs
● Length	459 mm / 18.07 in
● Height (head straight up)	819 mm / 32.24 in
● Width	378 mm / 14.88 in
● IP Rating	IP20
● Color options	Black (standard), custom color on request (optional)

32 Channels

- 01 → x axis, base movement (pan) coarse
 - 02 → x axis, base movement (pan) fine
 - 03 → y axis, base movement (tilt) coarse
 - 04 → y axes, base movement (tilt) fine
 - 05 → Movement Speed
 - 06 → Master Dimmer
 - 07 → Dimmer Fine
 - 08 → Red
 - 09 → Green
 - 10 → Blue
 - 11 → White
 - 12 → Lime
 - 13 → Amber
 - 14 → White Tone
 - 15 → Green Saturation
 - 16 → Strobe Effect
 - 17 → Iris Diaphragm
 - 18 → Focus
 - 19 → Zoom
 - 20 → Plus Zoom
 - 21 → Frost
 - 22 → Framing Shutter 1
 - 23 → Framing Shutter 1 angle
 - 24 → Framing Shutter 2
 - 25 → Framing Shutter 2 angle
 - 26 → Framing Shutter 3
 - 27 → Framing Shutter 3 angle
 - 28 → Framing Shutter 4
 - 29 → Framing Shutter 4 angle
 - 30 → Framing Rotation
 - 31 → Special Functions
 - 32 → Reset, Display on/off.
- Autofocus

Drawing size



● Coemar Lighting S.r.l.

Via Carpenedolo, 90
46043, Castiglione delle Stiviere (MN) – Italy

P. +39 0376 1514412

M1. info@coemar.com

M2. service@coemar.com

W. coemar.com

P.iva – C.f. 02415330204

