



LEDko TM Profile VariWhite

Product code:
F002G030A

Last update:
28/03/2023



LEDko TM Profile VariWhite

Introducing

● The motorized version of the current LEDko Led Profile. This fixture has been developed after our customers' recurrent requests, who were looking for a more versatile solution in order to reduce the burden of manually adjusting the setting of the fixtures once mounted on the rigging infrastructure. Available in two different versions: VariWhite and FullSpectrum 6.

Key Features



● Modular 200 W multiple COB LEDs



● CRI > 96



● CCT 2.700 K → 6.200K



● High lumen flux and flat field



● Motorized zoom from 13° to 38°



● Motorized framing system, adjustable over 90°



● Custom color on request (optional)



● European Conformity certification

General

| | |
|---------------------------------------|--|
| ● LED Source | Modular 200 W multiple COB LEDs |
| ● CCT Range | ●●●●● 2.700 K → 6.200 K |
| ● Color Rendition Average | CRI> 96 |
| ● Dimming | Electronic 16 bit dimming with 2 selectable curves, simulating halogen or discharge lamp based fixtures |
| ● Framing System | Four blade motorized framing system, each shutter blade is adjustable for radial position and angle, 90° rotation of the entire system |
| ● Strobe | Synchronized, random or pulse electronic strobe |
| ● Available Optics | Motorized zoom from 13° to 38° |
| ● Camera flicker control/Hz range | Flicker-free operation with LEDs frequency controlled via DMX from 600 to 19.000 Hz |
| ● Calibrated Cob | Yes |
| ● L80 Rating (hours to 80% output) | 50.000 Hours |
| ● Pan / Tilt | Pan 540°, Tilt 270°, 16 bit |

Electrical

| | |
|---------------------|--|
| ● Voltage Input | 90-240 V, 50/60 Hz, auto-sensing |
| ● Power Consumption | 400 W Maximum - 1 A at 230 V, 2.55 at 90 V - cosφ 0,9 |
| ● Power Connection | In and Out PowerCON TRUE1 connectors with 1.5 m (4.9 ft) PowerCon cable without power plug |
| ● Data Connection | In and Out DMX 5 pin locking XLR connectors |

Thermal

| | |
|---------------------------------|---|
| ● Ambient Operating Temperature | 0°C - +40°C (32°F - 104°F) |
| ● Fan (controllable) | Fan setting with 3 different options (low, auto, DMX) |

Control

| | |
|---------------------|--|
| ● Protocols | DMX-512, RDM (Remote Device Management), Wireless (optional by LumenRadio) |
| ● RDM configuration | Yes |
| ● DMX Channels | 25 |
| ● Display | Graphic OLED with on-board selector for quick setting |

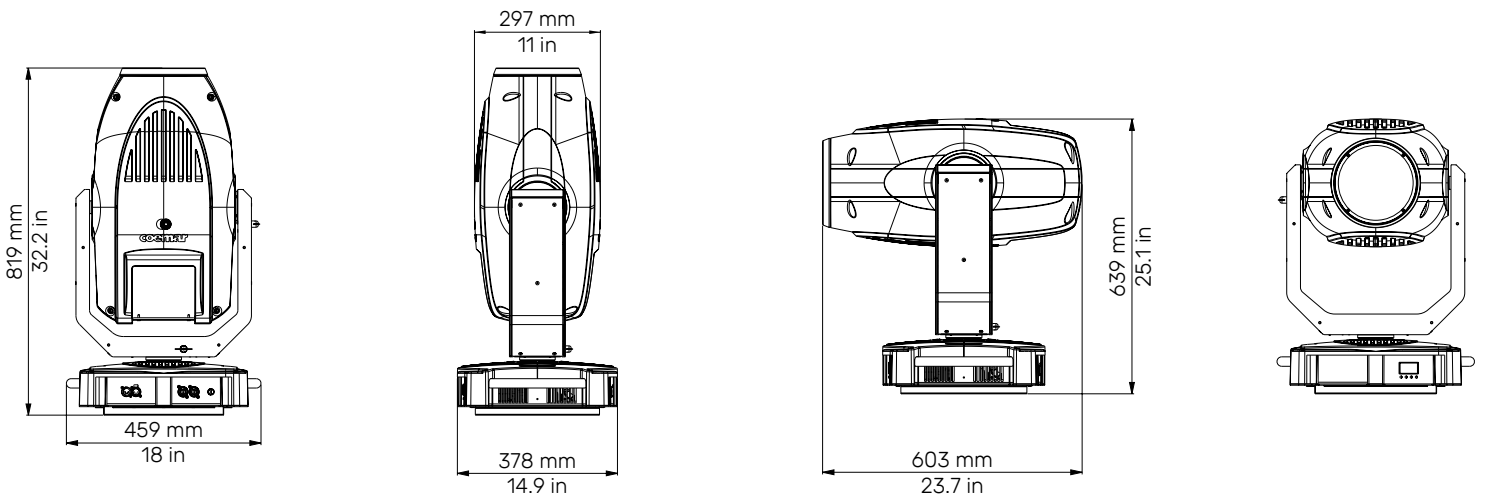
Physical

| | |
|------------------------------|--|
| ● Movement | Tilt: 270° - 16bit, Pan: 540° - 16bit Automatic repositioning Mechanical Pan/Tilt lock for safe transportation and maintenance |
| ● Materials | Aluminium and flame-retardant technopolymer reinforced with fiberglass |
| ● Weight | 36 Kg / 79.36 lbs |
| ● Length | 459 mm / 18.07 in |
| ● Height (head straight up): | 819 mm / 32.24 in |
| ● Width | 378 mm / 14.88 in |
| ● IP Rating | IP20 |
| ● Color options | Black (standard), custom color on request (optional) |

25 Channels

| | |
|----|---------------------------------------|
| 01 | → x axis, base movement (pan) coarse |
| 02 | → x axis, base movement (pan) fine |
| 03 | → y axis, base movement (tilt) coarse |
| 04 | → y axes, base movement (tilt) fine |
| 05 | → Movement Speed |
| 06 | → Master Dimmer |
| 07 | → Tunable White |
| 08 | → Strobe Effect |
| 09 | → Iris Diaphragm (LIN-linear) |
| 10 | → Focus |
| 11 | → Zoom |
| 12 | → Framing Shutter 1 |
| 13 | → Framing Shutter 1 angle |
| 14 | → Framing Shutter 2 |
| 15 | → Framing Shutter 2 angle |
| 16 | → Framing Shutter 3 |
| 17 | → Framing Shutter 3 angle |
| 18 | → Framing shutter 4 |
| 19 | → Framing Shutter 4 angle |
| 20 | → Framing Rotation |
| 21 | → Step Zoom |
| 22 | → Frost |
| 23 | → Spare Channel |
| 24 | → Special Functions |
| 25 | → Reset, Display on/off, autofocus |

Drawing size





Broadcast - Masterchef 4, Italy

| | |
|---------|-------------------|
| Product | LEDko TM Profile |
| CCT | 2.700 K → 6.200 K |
| CRI | > 96 |

● Coemar Lighting S.r.l.

Via Carpenedolo, 90
46043, Castiglione delle Stiviere (MN) – Italy

P. +39 0376 1514412

M1. info@coemar.com

M2. service@coemar.com

W. coemar.com

P.iva – C.f. 02415330204

