

ParLite LED ACL D

Product code:
F071F000R

Last update:
03/03/2023



ParLite LED ACL D with frontal support accessories holder

Introducing

● ParLite led available both in indoor **IP20** and in **IP65** outdoor version with a ultra narrow beam (3° lenses) , **fanless** (for silent operation) is suitable for entertainment lighting (theaters, television studios, events) and suitable for architectural illumination (shopping center, conference room, buildings, monuments, etc).

Long-lasting **aluminum compact body**, high quality LEDs and lenses guarantee long life and high lighting performance with low power consumption. The wide range of color temperatures or colors, colors rendering **(CRI) 80+ or 90+**, different fixing options and the numerous accessories available, make this projector suitable for any customer need.

ParLite Led is available in two different mounting options to fit any installation:








● **ParLite LED Portable:** double yoke for easy ground standing or truss hanging; 1.8m power cable with Bare Ends and DMX in/ thru chassis-mount XLR5 connectors.

● **ParLite LED Track Mount:** eutrac 3-circuit + data and a single cable between fixture and track adapter for power and DMX.

Key Features

- 12 LEDs Cree Daylight
- CRI>80 or CRI>90
- CCT Fixed White 5.600K
- IP20 or 65
- Fanless (fon silent operation)
- Ultra narrow beam (3° lenses)
- Thick aluminum
- Custom color on request (optional)
- Manual (standard) or Pole Operated Pan-Tilt (Optional)
- Double yoke for easy ground standing or truss hanging
- Portable or Track mount version

General	
● LED Source	12 LEDs Cree Daylight
● CCT Range	●●●●● Fixed White 5.600K
● Color Rendering Index	CRI>80 or CRI>90
● Dimming	Smooth 100% to 0%, 5 Selectable Curves - Exponential, Logarithmic, Linear, Halo and Standard
● Strobe	Electronic strobe, synchronized, random, pulse effect
● Lens	3° beam angle
● Camera flicker control/Hz range	Flicker-free operation with LEDs frequency controlled via DMX from 600 to 20.000 Hz
● Calibrated Cob	Yes
● L80 Rating (hours to 80% output)	50.000 Hours
Electrical	
● Voltage Input	100-250V, 50/60Hz, auto-sensing
● Power Consumption	40W Maximum - 0.22 A at 230 V, 0.44 A at 115 V - cosφ 0.8
● Power Connection	2m (6.6 ft) integral cable without power plug
● Data Connection	In and Out DMX 5 pin locking XLR connectors
Thermal	
● Ambient Operating Temperature	-40°C - +40°C (-40°F - 104°F)
● Cooling	Convection cooled, no fans, ideal for broadcast and theatre installation
Control	
● Protocols	DMX-512, RDM (Remote Device Management), Wireless (optional By LumenRadio)
● RDM configuration	Yes
● DMX Channels	5 / 1
● Display	Setting, addressing, testing and measurements via LEDs display
● Firmware upgrade	Through DMX with RDM Upgrade USB interface (code AC10011A001)
Physical	
● Mounting Options	Track mount, Double yoke for easy ground standing or truss hanging, PO Yoke (optional)
● Materials	Thick aluminum
● Weight	3.5 Kg / 7.72 lbs
● Length	211.4 mm / 8.32 in
● Height	267 mm / 10.51
● Width	182.8 mm / 7.20 in
● IP Rating	IP 20 or 65
● Color options	Black or Silver (standard), custom color on request (optional)
General accessories	
PCO9167/1	12° Lens Kit
PCO9167	30° Lens Kit
PCO9167/2	13°x40° Lens Kit
PCO9167/3	50° Lens Kit
PCO9168	110° Flood Reflector
BC10007A001	Support accessories holder black
BC10007A002	Support accessories holder silver
PCO9169	Frame For Internal Frost Filter
PCO9169/1	Frame For External Frost Filter (only IP20 version)
PCO9164/1	4 Leaf Barndoor (only IP20 version)
BC10007A007	Egg Crate Louvers (only IP20 version)
BC10007A009	PO Yoke (only IP20 version)
BC10007A012	Top hat (only IP20 version)
BC10007A011	Half top hat (only IP20 version)

<p>PCO9167/1 PCO9167 PCO9167/2 PCO9167/3</p>	<p>12° Lens Kit 30° Lens Kit 13°x40° Lens Kit 50° Lens Kit</p>	
<p>PCO9168</p>	<p>110° Flood Reflector</p>	
<p>BC10007A001 BC10007A002</p>	<p>Support accessories holder black Support accessories holder silver</p>	
<p>PCO9169</p>	<p>Frame For Internal Frost Filter</p>	
<p>PCO9169/1</p>	<p>Frame For External Frost Filter (only IP20 version)</p>	
<p>PCO9164/1</p>	<p>4 Leaf Barndoor (only IP20 version)</p>	
<p>BC10007A007</p>	<p>Egg Crate Louvers (only IP20 version)</p>	

BC10007A009	PO Yoke (only IP20 version)	
BC10007A012	Top hat (only IP20 version)	
BC10007A011	Half top hat (only IP20 version)	

DMX Charts

5 Channels

01 → Master Dimmer

02 → Spare Channel

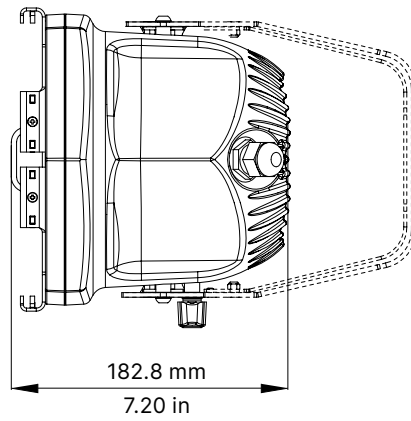
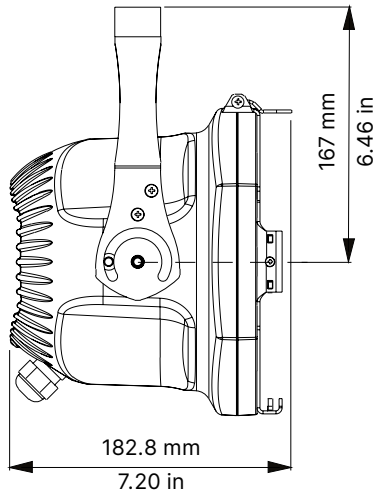
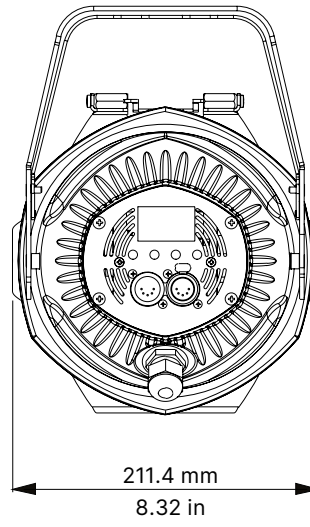
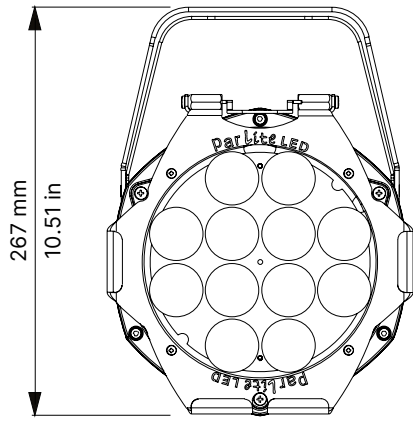
03 → Dimmer Fine

04 → Strobe Effect

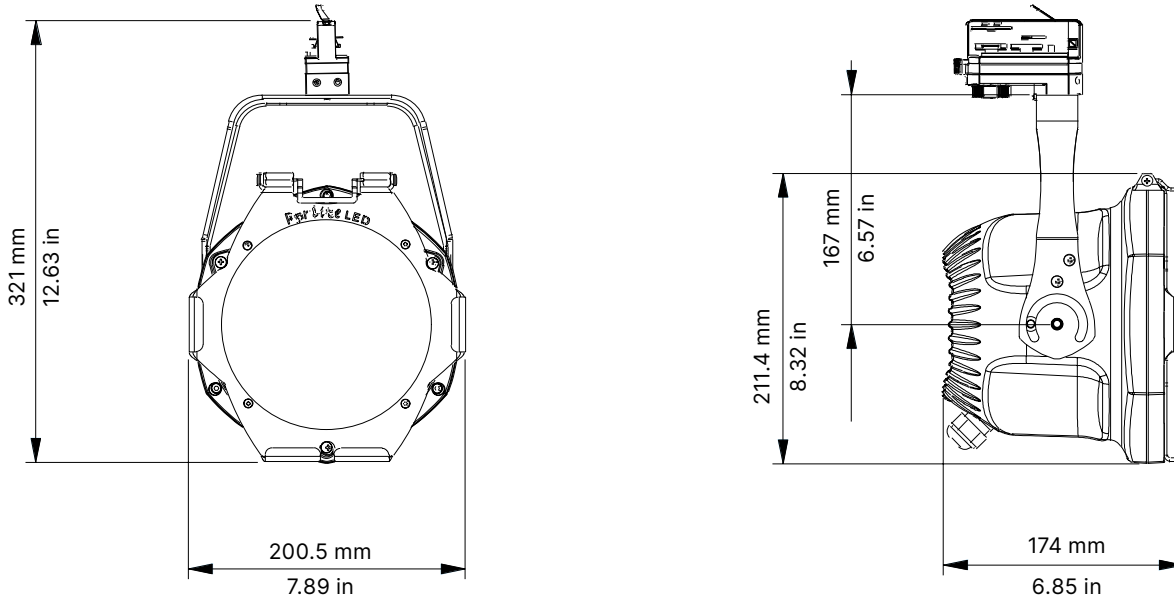
05 → Special Functions

1 Channel

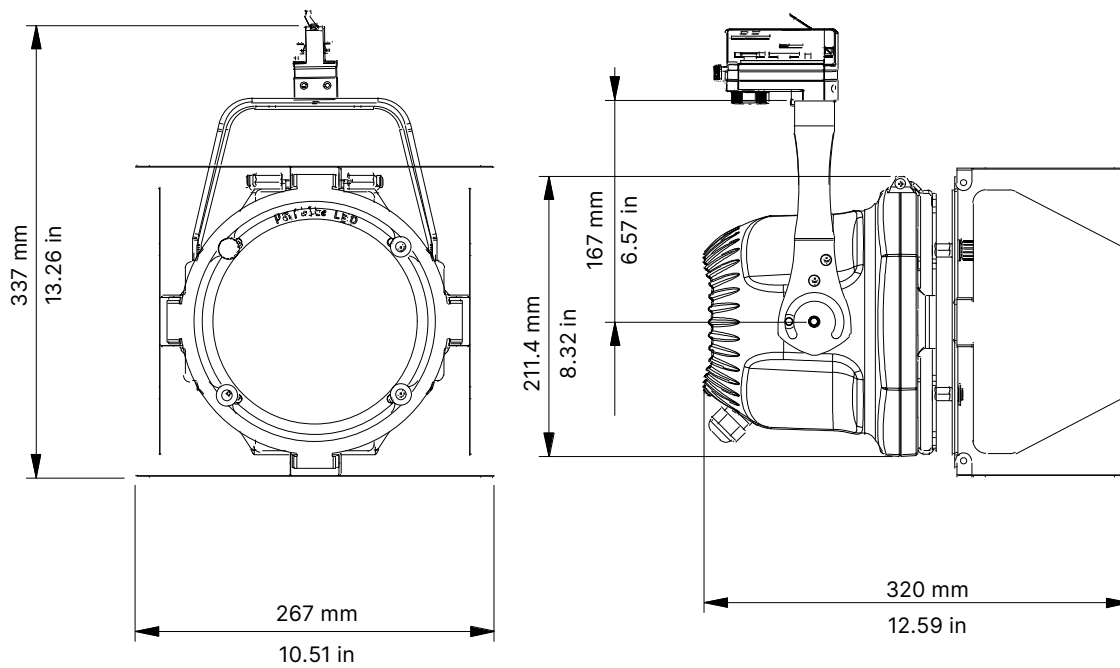
01 → Master Dimmer



ParLite LED Track Mount



ParLite LED Track Mount with 4-LEAF barndoor



● Coemar Lighting S.r.l.

Via Carpenedolo, 90
46043, Castiglione delle Stiviere (MN) – Italy

P. +39 0376 1514412

M1. info@coemar.com

M2. service@coemar.com

W. coemar.com

P.iva – C.f. 02415330204

