

# Phantom TM Fresnel Tunable D

Product code:  
F002R030P

Last update:  
28/03/2023



Phantom TM Fresnel Tunable D

#### Introducing

● The motorized version of the current Phantom Led Fresnel. This fixture has been developed after our customers' recurrent requests, who were looking for a more versatile solution in order to reduce the burden of manually adjusting the setting of the fixtures once mounted on the rigging infrastructure. Available in two different versions: tunable Daylight and tunable Tungsten.

#### Key Features

- RGBW multiple COB LEDs
- Tunable Daylight
- Green-Magenta Adjustment
- CRI > 96
- CCT all whites from 5.000 K → 6.500 K
- High lumen flux and flat field
- Motorized zoom
- Internal motorized barndoor framing system
- Ultra quiet operation: ideal for low noise applications
- Custom color on request (optional)
- European Conformity certification

## General

● LED Source	RGBW multiple COB LEDs
● CCT Range	●●●●● all whites from 5.000K → 6.500K
● Color Rendition Average	CRI> 96
● Green-Magenta adjustment	Yes
● Dimming	Electronic 16bit dimming with 2 selectable curves, simulating halogen or discharge lamp based fixtures
● Framing System (Patented)	Internal barndoor framing offering four independently variable axial blades with proportional rotation of the assembly through 90°
● Optical	Motorized Zoom
● Camera flicker control/Hz range	Flicker-free operation with LEDs frequency controlled via DMX from 600 to 19.000Hz
● Calibrated Cob	Yes
● L80 Rating (hours to 80% output)	50.000 Hours

## Electrical

● Voltage Input	90-264 V, 50/60Hz, auto-sensing
● Power Consumption	400 W Maximum - 1.69 A at 230 V, 4.30 A at 90 V - $\cos\phi$ 0.94
● Power Connection	In and Out PowerCON TRUE1 connectors with 1.5 m (4.9 ft) PowerCon cable without power plug
● Data Connection	In and Out DMX 5 pin locking XLR connectors

## Thermal

● Ambient Operating Temperature	0°C - +40°C (32°F - 104°F)
● Fan (controllable)	Fan setting with 3 different options (low noise, auto silent, DMX)

## Control

● Protocols	DMX-512, RDM (Remote Device Management), Wireless (optional by LumenRadio)
● RDM configuration	Yes
● DMX Channels	23
● Display	Graphic OLED with on-board selector for quick setting

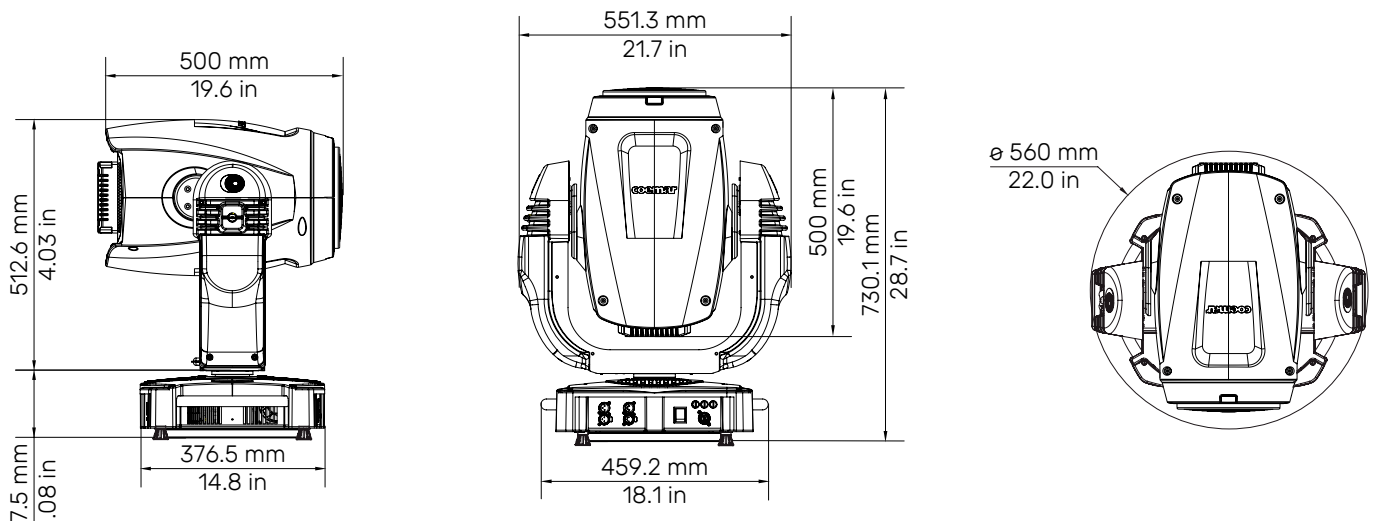
## Physical

● Movement	Tilt: 270° - 16bit, Pan: 540° - 16bit Automatic repositioning Mechanical Pan/Tilt lock for safe transportation and maintenance
● Materials	Aluminium and flame-retardant technopolymer reinforced with fiberglass
● Weight	30 Kg / 66.14 lbs
● Length	376.5 mm / 14.82 in
● Height	730.1 mm / 28.74 in
● Width	551.3 mm / 21.70 in
● IP Rating	IP20
● Color options	Black (standard), custom color on request (optional)

**23 Channels**

01	→ x axis, base movement (pan) coarse
02	→ x axis, base movement (pan) fine
03	→ y axis, base movement (tilt) coarse
04	→ y axis, base movement (tilt) fine
05	→ Movement Speed
06	→ Master Dimmer
07	→ Dimmer Fine
08	→ CCT
09	→ Green Saturation
10	→ Led Mode
11	→ Red
12	→ Green
13	→ Blue
14	→ White
15	→ Strobe Effect
16	→ Zoom
17	→ Framing Shutter 1
18	→ Framing Shutter 2
19	→ Framing Shutter 3
20	→ Framing Shutter 4
21	→ Framing Rotation
22	→ Special Functions
23	→ Reset, Display on/off, Autofocus

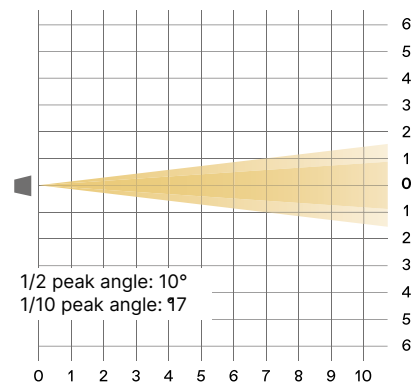
## Drawing Size



### Phantom TM Fresnel Tunable D

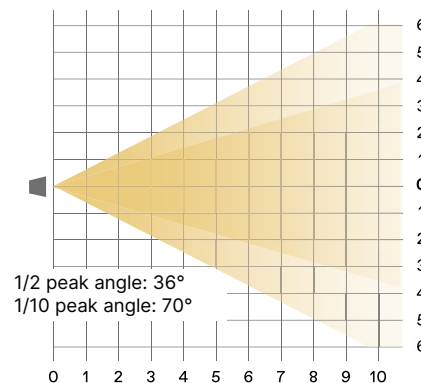
#### Optic: Zoom Min

Distance(m)	1	2	3	4	5	6	7	8	9	10
lux	175.500	43.875	19.500	10.969	7.020	4.875	3.582	2.742	2.167	1.755
1/2 P.A. ° Ø (m)	0,17	0,35	0,52	0,70	0,87	1,05	1,22	1,40	1,57	1,75
1/10 P.A. Ø (m)	0,30	0,60	0,90	1,20	1,49	1,79	2,09	2,39	2,69	2,99



#### Optic: Zoom Max

Distance(m)	1	2	3	4	5	6	7	8	9	10
lux	25.470	6.368	2.830	1.592	1.019	708	520	398	314	255
1/2 P.A. ° Ø (m)	0,65	1,30	1,95	2,60	3,25	3,90	4,55	5,20	5,85	6,50
1/10 P.A. Ø (m)	1,40	2,80	4,20	5,60	7,00	8,40	9,80	11,20	12,60	14,00



● Coemar Lighting S.r.l.

Via Carpenedolo, 90  
46043, Castiglione delle Stiviere (MN) – Italy

P. +39 0376 1514412

M1. info@coemar.com

M2. service@coemar.com

W. coemar.com

P.iva – C.f. 02415330204

