

Phantom TM Fresnel Tunable T

Product code:
F002S030P

Last update:
28/03/2023



Phantom TM Fresnel Tunable T

Introducing

● The motorized version of the current Phantom Led Fresnel. This fixture has been developed after our customers' recurrent requests, who were looking for a more versatile solution in order to reduce the burden of manually adjusting the setting of the fixtures once mounted on the rigging infrastructure. Available in two different versions: tunable Daylight and tunable Tungsten.

Key Features

- RGBW multiple COB LEDs
- Tunable Tungsten
- Green-Magenta Adjustment
- CRI > 96 (at 3.200K)
- CCT all whites from 2.700 K to 4.100 K
- High lumen flux and flat field
- Motorized Zoom
- Internal barndoor framing system
- Ultra quiet operation: ideal for low noise applications
- Custom color on request (optional)
- European Conformity certification

General

● LED Source	RGBW multiple COB LEDs
● CCT Range	●●●●● all whites 2.700 K → 4.100 K
● Color Rendition Average	CRI> 96 (at 3.200K), TLC average > 94
● Green-Magenta adjustment	Yes
● Dimming	Electronic 16 bit dimming with 2 selectable curves, simulating halogen or discharge lamp based fixtures
● Framing System	Internal barndoor framing system offering four independently variable axial blades with proportional rotation of the assembly through 90°
● Optical	Motorized Zoom
● Camera flicker control/Hz range	Flicker-free operation with LEDs frequency controlled via DMX from 600 to 19.000 Hz
● Calibrated Cob	Yes
● L80 Rating (hours to 80% output)	50.000 Hours

Electrical

● Voltage Input	90-200 V, 50/60 Hz, auto-sensing
● Power Consumption	400 W Maximum - 1.69 A at 230 V, 4.30 A at 90 V -cosφ 0.94
● Power Connection	In and Out PowerCON TRUE1 connectors with 1.5 m (4.9 ft) PowerCon cable without power plug
● Data Connection	In and Out 5 pin locking XLR

Thermal

● Ambient Operating Temperature	0°C - +40°C (32°F - 104°F)
● Fan (controllable)	Fan with 3 different options (low noise, auto silent, DMX)

Control

● Control Variants	DMX-512, RDM (Remote Device Management), Wireless (optional by LumenRadio)
● RDM	Yes
● DMX Channels	23
● Display	Graphic OLED with on-board selector for quick setting

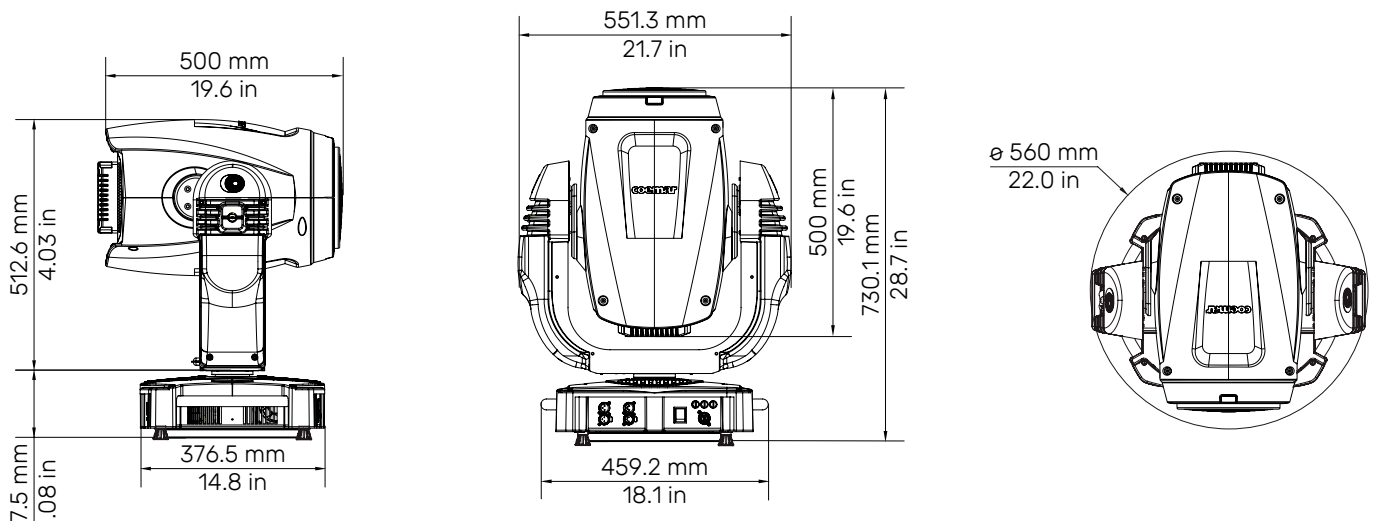
Physical

● Movement	Tilt: 270° - 16bit, Pan: 540° - 16bit Automatic repositioning Mechanical Pan/Tilt lock for safe transportation and maintenance
● Materials	Aluminium and flame-retardant technopolymer reinforced with fiberglass
● Weight	30 Kg / 66.14 lbs
● Length	376.5 mm / 14.82 in
● Height	730.1 mm / 28.74 in
● Width	551.3 mm / 21.70 in
● IP Rating	IP20
● Color options	Black (standard), custom color on request (optional)

23 Channels

01	→ x axis, base movement (pan) corse
02	→ x axis, base movement (pan) fine
03	→ y axis, base movement (tilt) corse
04	→ y axis, base movement (tilt) fine
05	→ Movement Speed
06	→ Master Dimmer
07	→ Dimmer Fine
08	→ CCT
09	→ Green Saturation
10	→ Led Mode
11	→ Red
12	→ Green
13	→ Blue
14	→ White
15	→ Strobe Effect
16	→ Zoom
17	→ Framing Shutter 1
18	→ Framing Shutter 2
19	→ Framing Shutter 3
20	→ Framing Shutter 4
21	→ Framing Rotation
22	→ Special Functions
23	→ Reset, Display on/off, Autofocus

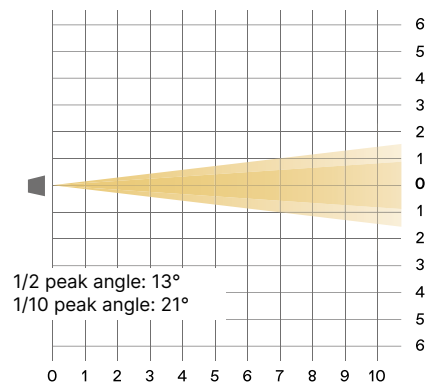
Drawing Size



Phantom TM Fresnel Tunable T

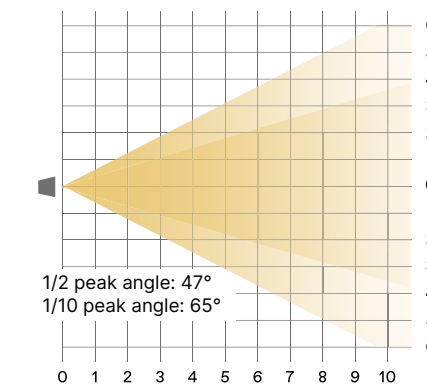
Optic: **Zoom Min**

Distance(m)	1	2	3	4	5	6	7	8	9	10
lux white 3.200K	143.000	35.750	15.889	8.938	5.720	3.972	2.918	2.234	1.765	1.430
1/2 P.A. ° Ø (m)	0,23	0,46	0,68	0,91	1,14	1,37	1,60	1,82	2,05	2,28
1/10 P.A. Ø (m)	0,37	0,74	1,11	1,48	1,85	2,22	2,59	2,97	3,34	3,71



Optic: **Zoom Max**

Distance(m)	1	2	3	4	5	6	7	8	9	10
lux white 3.200K	19.375	4.844	2.153	1.211	775	538	395	303	239	194
1/2 P.A. ° Ø (m)	0,87	1,74	2,61	3,48	4,35	5,22	6,09	6,96	7,83	8,70
1/10 P.A. Ø (m)	1,27	2,55	3,82	5,10	6,37	7,64	8,92	10,19	11,47	12,74



● Coemar Lighting S.r.l.

Via Carpenedolo, 90
46043, Castiglione delle Stiviere (MN) – Italy

P. +39 0376 1514412

M1. info@coemar.com

M2. service@coemar.com

W. coemar.com

P.iva – C.f. 02415330204

