

PinSpot T/D

Product code:
F033E100A(T)
F033F100A(D)

Last update:
29/03/2023



PinSpot T/D

Introducing

● Accent light with a very narrow beam angle of less than 5 degrees. Perfect to highlight details with a sleek and elegant design and small dimensions.

The PinSpot is controllable via DMX through the dedicated RegoBox. Available in two different fixed white versions: Tungsten and Daylight.

Key Features



● Tungsten or Daylight LED module



● CRI > 80 or CRI > 90



● CTT 3.200 K or 5.600 K



● IP 44



● Concentrated beam angle: 3°



● Thick aluminium enclosure to guaranteed body resistance in the long term



● Oriental yoke



● Custom color on request (optional)



● European Conformity certification

General

● LED Source	Tungsten or Daylight LED module
● CCT Range	●●●●● Fixed white 3.200 K or 5.600 K
● Color Rendition Average	CRI> 80 or CRI> 90
● Available Optics	3° lenses beam angle
● Electronics Type	Flicker-free Operation
● L80 Rating (hours to 80% output)	50.000 Hours

Electrical

● DC Power	3 V
● Power Consumption	2 W Maximum - 700 mA at 3 V
● Data Connection	T connection cable In/Out

Thermal

● Ambient Operating Temperature	-40°C - +40°C (-40°F - 104°F)
● Cooling	Convection cooled, no fans

Control

● Control Variants	Max 50 PinSpot for 1 RegoBox (10 per line)
● DMX Channels	1

Physical

● Yoke	Orientable yoke
● Materials	Thick aluminium enclosure to guaranteed body resistance in the long term
● Weight	0.4 Kg / 0.88 lbs
● Length	102.5 mm / 4.03 in
● Height	48 mm / 1.88 in - With bracket 86.5mm / 3.40 in
● Width	77 mm / 3.03 in
● IP Rating	IP44
● Color options	Silver (standard), custom color on request (optional)

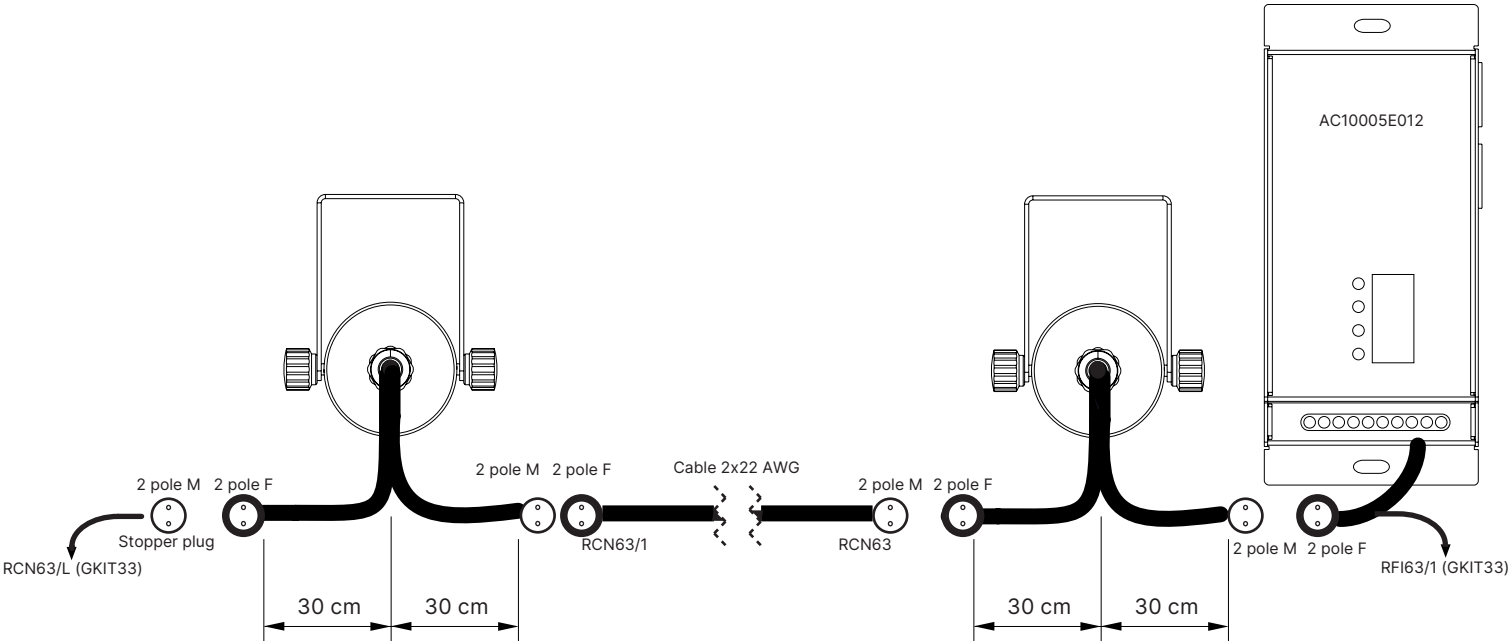
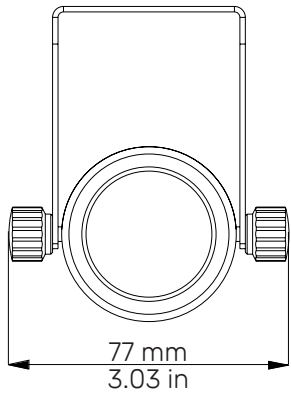
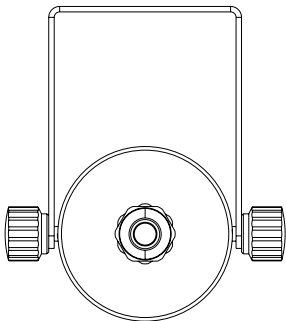
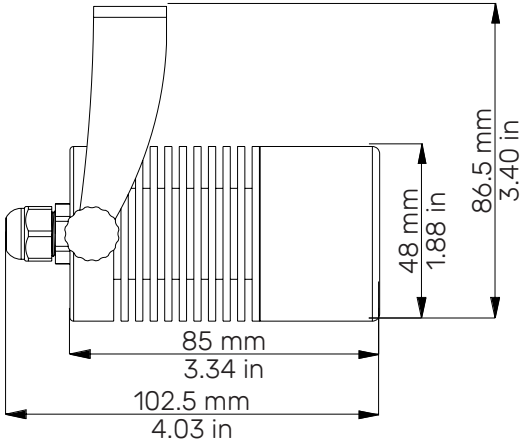
General accessories

AC10005E012	RegoBox 5CH DMX512 12-24V / 48V c.c. 700mA
AE016	Switching 24 V, 100 W
AE017/1	Switching 24 V, 200 W
GKIT33	Cable KIT start/end
RFI63/1	Starting line connector 2 poles with 25 cm (9.84 in) cable bare end (Female)
RCN63/L	Closing line connector (Male)

1 Channel

01 → Master Dimmer

Drawing Size



● Coemar Lighting S.r.l.

Via Carpenedolo, 90
46043, Castiglione delle Stiviere (MN) – Italy

P. +39 0376 1514412

M1. info@coemar.com

M2. service@coemar.com

W. coemar.com

P.iva – C.f. 02415330204

