



# StageLite LED SC RGBW

Product code:  
F021L020F

Last update:  
29/03/2023



StageLite LED SC RGBW

#### Introducing

● This is the smaller version of the StageLite FX. In this case, the three bars are controlled manually. The light beam is generated by three independent optical planes with 48 RGBW LEDs, 1.2 W each, 12 per color. Asymmetric and symmetric beam in one single fixture: StageLite Led SC is a truly unique fixture in which it can be focused asymmetrically on a cyclorama, used as a foot wash, up lit, or used for effects. The vertical beam zoom from 11° to 34° can be also focused from +56° to -52°.

#### Key Features

- 48 LEDs Cree (12 Red, 12 Green, 12 Blue and 12 White - 6.500K)
- RGB+W color mixing
- IP 20 or 65
- No fan, no maintenance, no noise
- Proportional Zoom from 11° to 34° (vertical beam 1/2 peak angle)
- Asymmetric and symmetric beam in one single fixture
- Robust aluminum, long lasting light source in long lasting body
- Black, custom color on request (optional)
- Standing feet or quick camlok clamps on a modular guide with adjustable position
- European Conformity certification

General	
● LED Source	48 LEDs Cree (12 Red, 12 Green, 12 Blue and 12 White - 6.500K)
● Dimming	8 or 16 bit, 5 selectable curves: Exponential, Logarithmic, Linear, Halo and Standard
● Dimming Smooth Selection	Fast, Slow and Very Slow
● Strobe	Electronic strobe, synchronized, random, pulse effect
● Optical	Proportional Zoom from 11° to 34° (vertical beam 1/2 peak angle)
● Lens	12°, 30°, 13° x 40° elliptical, 50°
● Camera flicker control/Hz range	Flicker-free operation with LEDs frequency controlled via DMX from 500 to 5.000 Hz
● Calibrated Cob	Yes
● L80 Rating (hours to 80% output)	50.000 Hours
Electrical	
● Voltage Input	90-250 V, 50/60 Hz, auto-sensing
● Power Consumption	70 W Maximum - 0.5 A at 230 V, 1 A at 115 V - cosφ 0.6
● Power Connection	In and Out PowerCON TRUE1 connectors to feed up to 8 (at 230V) or 4 (at 115V) fixtures (IP20 version) 2 m (6.6 ft) integral cable without power plug (IP65 version)
● Data Connection	In and Out DMX 5 pin locking XLR connectors
Thermal	
● Ambient Operating Temperature	-40°C - +40°C (-40°F - 104°F)
● Cooling	No fan, no maintenance, no noise
Control	
● Protocols	DMX-512, RDM (Remote Device Management), Wireless (optional By LumenRadio)
● RDM	DMX Setup, Fixture Status, RDM Commands (only DMX version)
● DMX Channels	8
● Display	Graphic OLED
Physical	
● Mounting Options	Standing feet or quick camlok clamps on a modular guide with adjustable position
● Materials	Robust aluminum, long lasting light source in long lasting body
● Weight	6 Kg / 13.2 lbs
● Length	304.1 mm / 11.97 in
● Height	181.3 mm / 7.14 in - With bracket: 341.1 mm / 13.42 in
● Width	210.6 mm / 8.29 in
● IP Rating	IP20 or 65
● Color options	Black, custom color on request (optional)
General accessories	
PCO8052/1	2 ground-standing feet
PCO8052/3	Quick camlock clamps



Orientable 2 ground-standing feet



Quick camlock clamps

**8 Channels**

01 → Dimmer Fine

02 → Red

03 → Green

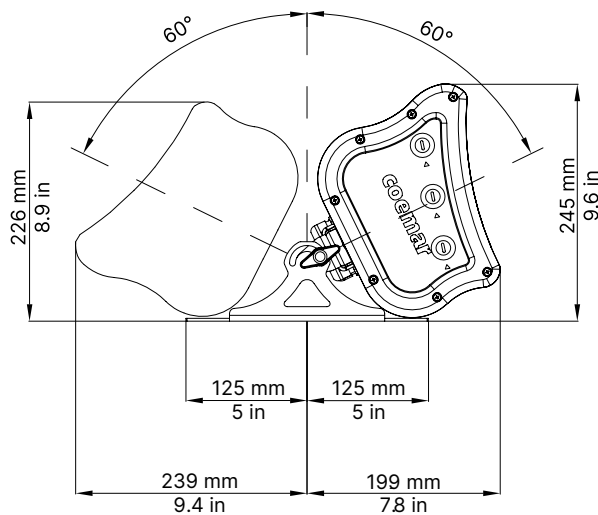
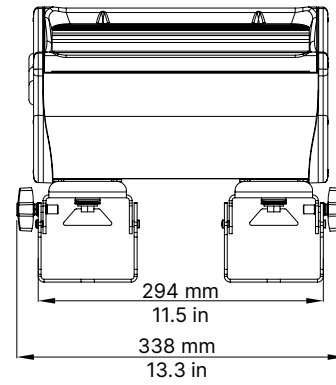
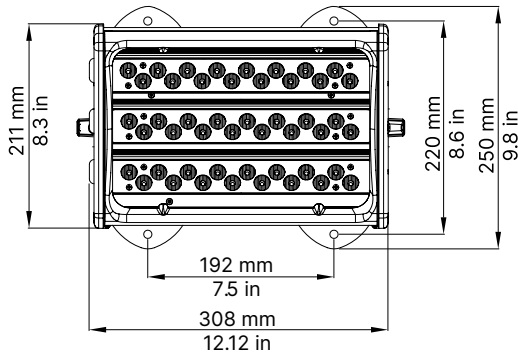
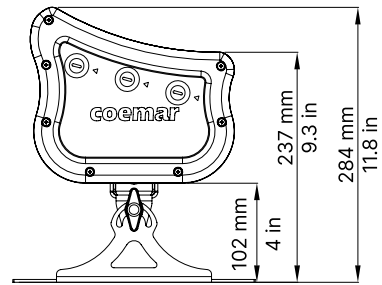
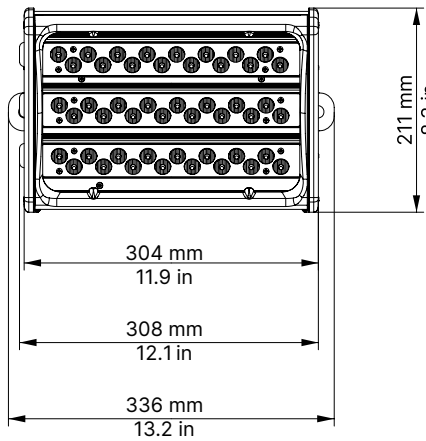
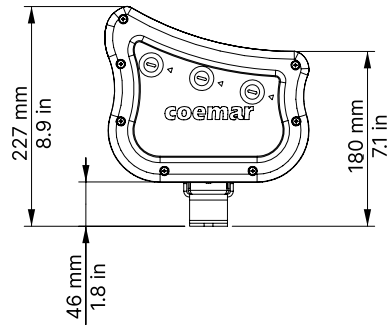
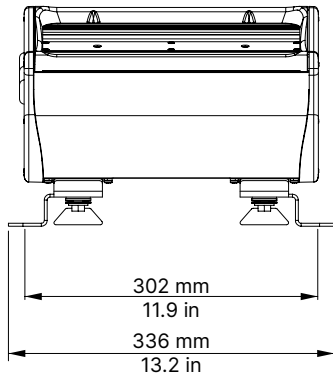
04 → Blue

05 → White

06 → Strobe Effect

07 → Automated Function

08 → Special Functions



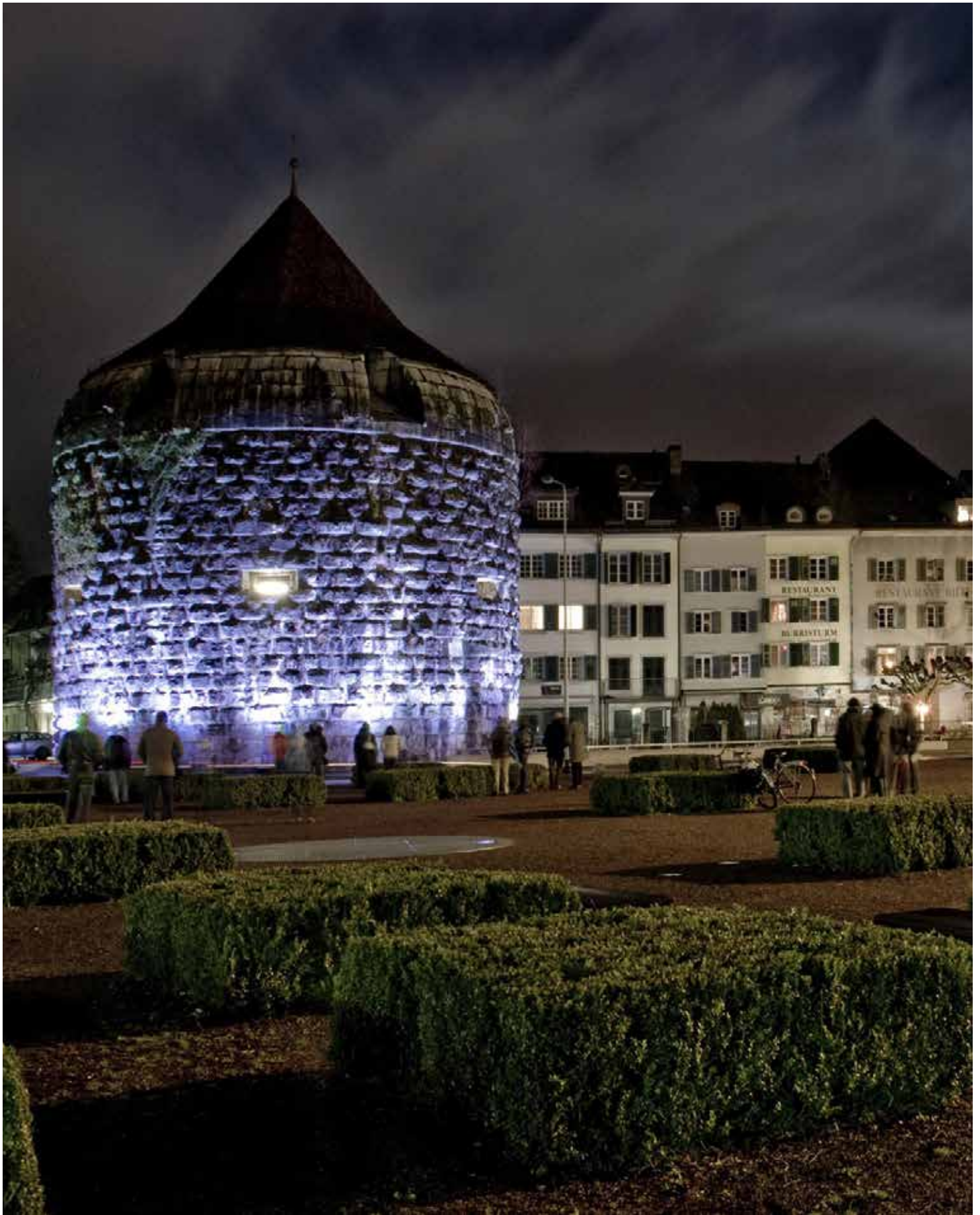


Architectural Outdoor - Marc Quinn, San Giorgio, Venice, Italy

Product  
CCT

StageLite LED SC  
RGBW





Architectural Outdoor - Kultur tower of Solothurn, Switzerland

Product

CCT

Light Design

StageLite LED SC

RGBW

Gfeller Licht

● Coemar Lighting S.r.l.

Via Carpenedolo, 90  
46043, Castiglione delle Stiviere (MN) – Italy

P. +39 0376 1514412

M1. info@coemar.com

M2. service@coemar.com

W. coemar.com

P.iva – C.f. 02415330204

