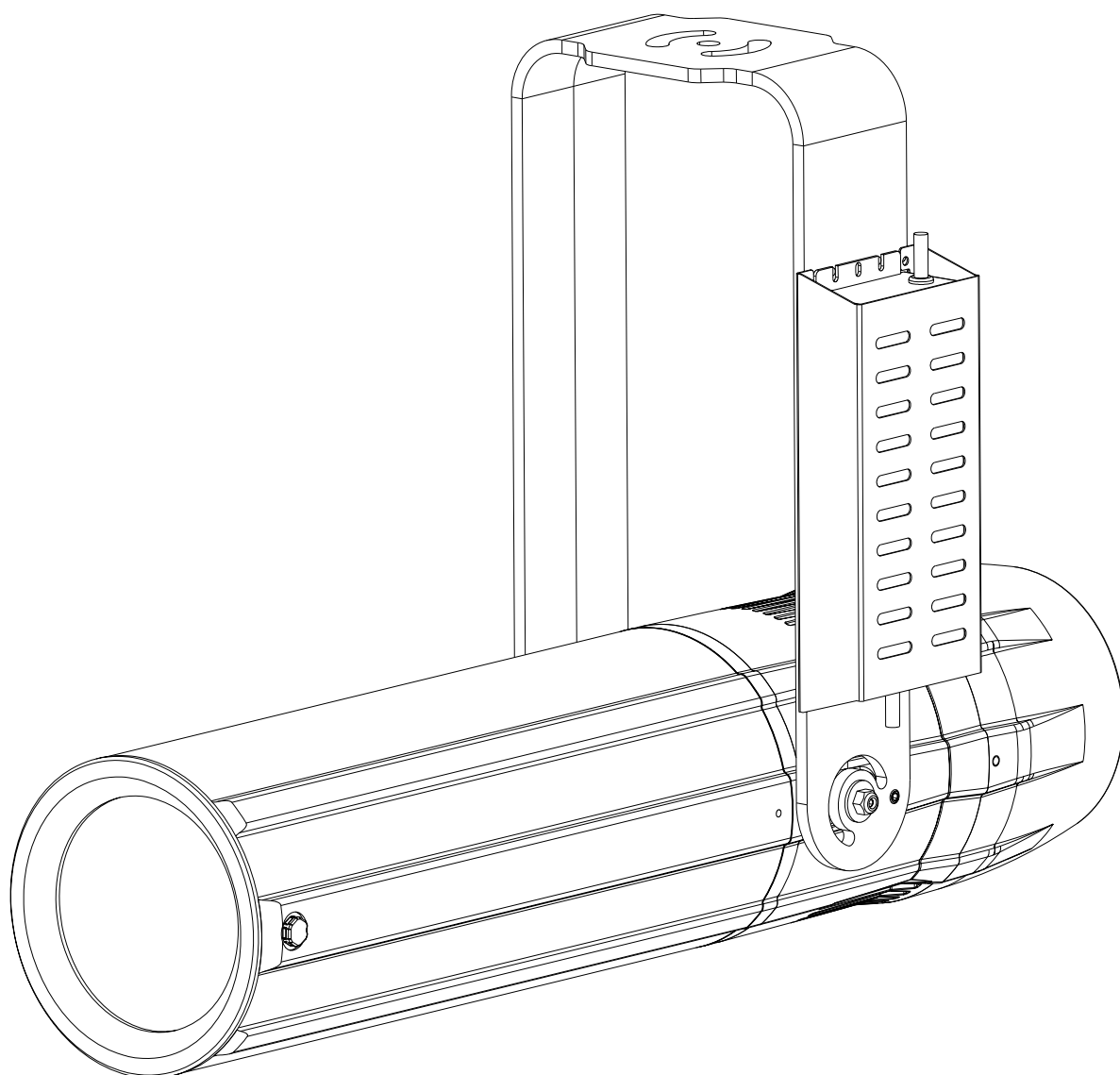


REFLECTION  
**LEDKO™ EXT**  
**FullSpectrum RGBLA**



# REFLECTION **LEDko**<sup>TM</sup> **EXT** **FullSpectrum RGBLA**

Serial Number:

.....

Purchase date:

.....

Dealer:

.....

Address:

.....

Suburb:

.....

Country:

.....

Phone / Fax:

.....

Please note in the space provided above the relative service information of the model and the retailer from whom you purchased your **LEDko EXT FullSpectrum RGBLA**: this information will assist us in providing spare parts, repairs or in answering any technical enquiries with the utmost speed and accuracy.

**WARNING:** the security of the fixture is granted only if these instructions are strictly followed; therefore it is absolutely necessary to keep this manual.

# Index

<b>1. Packaging and transportation</b> .....	Pag. 5
<b>1.1</b> Packaging .....	Pag. 5
<b>1.2</b> Transportation .....	Pag. 5
<b>2. General information</b> .....	Pag. 5
<b>2.1</b> Safety informations .....	Pag. 5
<b>2.2</b> Warranty conditions .....	Pag. 6
<b>2.3</b> EC norms .....	Pag. 6
<b>3. Product specifications</b> .....	Pag. 7
<b>3.1</b> Technical characteristics .....	Pag. 7
<b>3.2</b> Dimensions .....	Pag. 7
<b>3.3</b> Unit's main components .....	Pag. 8
<b>3.4</b> Back panel description .....	Pag. 9
<b>4. Installation</b> .....	Pag. 10
<b>4.1</b> Mechanical installation .....	Pag. 11
<b>4.2</b> Safety chain .....	Pag. 11
<b>4.3</b> Adjusting unit's tilt .....	Pag. 11
<b>4.4</b> Optic group, framing system and gobos.....	Pag. 11
<b>5. Powering up</b> .....	Pag. 13
<b>5.1</b> Operating voltage and frequency .....	Pag. 13
<b>5.2</b> Connection to mains power .....	Pag. 13
<b>6. Control signal connections</b> .....	Pag. 14
<b>6.1</b> Control signal connection by XLR5 plugs .....	Pag. 14
<b>7. Turning the projector on</b> .....	Pag. 15
<b>7.1</b> DMX address of the unit .....	Pag. 15
<b>8. DMX Chart</b> .....	Pag. 16
<b>8.1</b> DMX Chart 16, 7, 1 channels .....	Pag. 16
<b>8.2</b> DMX Chart Studio mode .....	Pag. 18
<b>8.3</b> DMX Chart RGB mode .....	Pag. 20
<b>9. Display panel functions</b> .....	Pag. 21
<b>9.1</b> Quick guide to menu .....	Pag. 21
<b>9.2</b> Rapid count .....	Pag. 21
<b>9.3</b> Main functions menu .....	Pag. 22
<b>9.4</b> Measure (MEAS) .....	Pag. 25
<b>9.5</b> Electronic alignment of the LEDs .....	Pag. 26
<b>9.6</b> Special functions of the fixture .....	Pag. 28
<b>9.7</b> Error messages .....	Pag. 28
<b>10. Spare parts</b> .....	Pag. 29

<b>11. Maintenance</b> .....	Pag. 29
<b>11.1</b> Firmware update .....	Pag. 29
<b>11.2</b> Periodic cleaning .....	Pag. 29
<b>11.3</b> Periodic controls .....	Pag. 29
<b>11.4</b> Fuses .....	Pag. 29
<b>12. F.A.Q. and answers</b> .....	Pag. 30

Congratulations on having purchased a **Coemar** product. You have assured yourself of a fixture of the highest quality, both in componentry and in the technology used. We renew our invitation to you to complete the service information on the previous page, to expedite any request for service information or spares (in case of problems encountered either during, or subsequent to, installation). This information will assist in providing prompt and accurate advice from your **Coemar** service centre. Following the instructions and procedures outlined in this manual will ensure the maximum efficiency of this product for years to come.

# 1. Packaging and transportation

## 1.1 Packaging

Open the packaging and make sure that no part of the equipment has suffered any damage during the transportation. In case of damage to the fixture, contact your carrier and your supplier immediately by telephone, fax or e-mail, and inform them you will formally notify them in writing through registered letter.

### Packing list

Ensure the packaging contains:

- 1 LEDko EXT FullSpectrum RGBLA**
- 1 Instruction manual**

## 1.2 Transportation

The **LEDko EXT FullSpectrum RGBLA** should be transported in either its original packaging or in an appropriate flight case.

# 2. General information

## 1.2 Transportation

### Fire prevention:



1. Never locate the fixture on any flammable surface.
2. Minimum distance from flammable materials: 0,5 m.
3. Minimum distance from the closet illuminable surface: 0,5 m.
4. Replace any blown or damaged fuse only with those of identical values. Refer to the schematic diagram if there is any doubt.
5. Connect the projector to mains power protected by a thermal magnetic circuit breaker.

### Prevention from electric shock:



1. Presence of high voltage inside of the fixture. Insulate the projector from mains supply before opening or performing any function which involves touching the inside of the fixture, including lamp replacement.
2. For the connection to the mains, adhere strictly to the guidelines outlined in this manual.

3. The level of technology of **LEDko EXT FullSpectrum RGBLA** requires the use of specialised personnel for all service applications; refer all work to your authorised **Coemar** service centre.
4. A good earth connection is essential for the proper functioning of the projector. Never connect the fixture if there is no earth connection.
5. Mains cables must not come into contact with other cables.
6. Do not operate the projector with wet hands or in an area where water is present.
7. The fixture must never be located in an exposed position, or in areas of extreme humidity.

#### Safety:



1. The projector must always be installed with bolts, clamps, or other fixing devices which are suitably rated to support the weight of the projector.
2. Always use a secondary safety fixing device with chain or steel wire of a suitable rating to sustain the weight of the unit in case of failure of the principal fixing point.
3. The external surfaces of the unit, at various points, may reach 60°C. Never handle the unit until at least 10 minutes have elapsed since the LED was turned off.
4. Never install the fixture in an enclosed area lacking sufficient air flow; the room temperature must not exceed 35°C.
5. The projector contains electronic and electrical components which must under no circumstances be in contact with water, oil or any other liquid. Failure to do so will compromise the proper functioning of the projector.

---

## 2.2 Warranty conditions

1. The fixture is under warranty for 36 months from the purchase date against factory defections.
2. Damage ought to unskillfulness, inappropriate use, or lack of suggested maintenance are excluded from the warranty.
3. Warranty expires when the projector is opened by unauthorized personnel.
4. Warranty doesn't include the replacement of the fixture.
5. Serial number and model of the fixture are necessary to retrieve informations and assistance from the dealer.

---

## 2.3 EC Norms

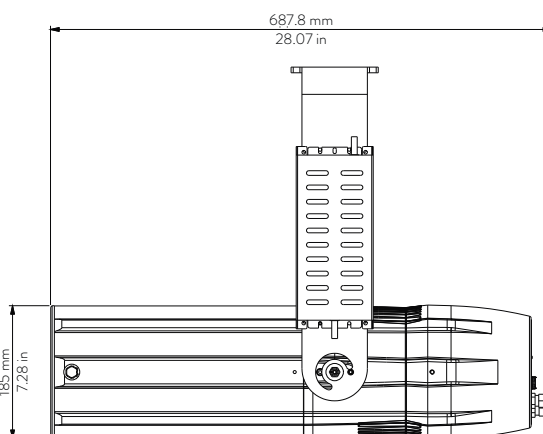
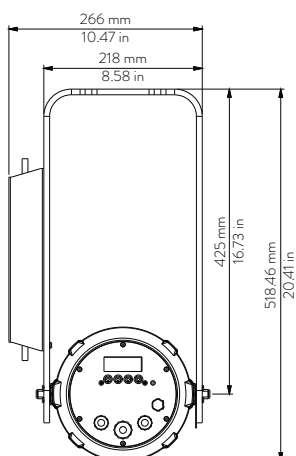
The projector meets all fundamental applicable EC requirements.

# 3. Product specifications

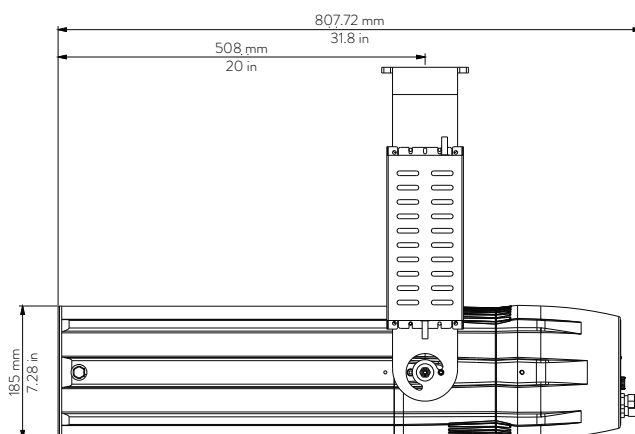
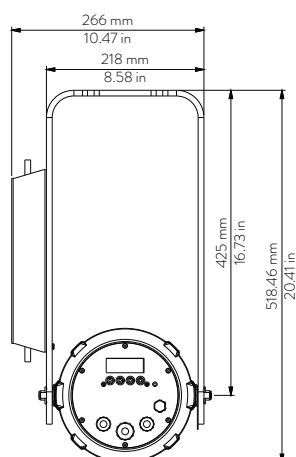
## 3.1 Technical characteristics

<b>Power supply</b>	80-264 V, auto-sensing, 50/60 Hz
<b>Maximum current</b>	1.16 A at 230 V, 2.34 A at 115 V
<b>Power factor</b>	$\text{Cos}\varphi = 0.93$
<b>Max power consumption</b>	250 W
<b>Color temperature</b>	RGBLA color mixing and all whites from 2.700 to 6.500 K
<b>Weight</b>	14.0 Kg (30.8 lbs)
<b>Storage temperature</b>	from - 40° C / -40° F to + 85° C / +185° F
<b>Operating temperature</b>	from - 40° C / -40° F to + 40° C / +104° F
<b>IP rating</b>	65

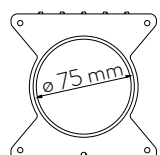
## 3.2 Dimensions



LEDko EXT with 17°-38° Optic

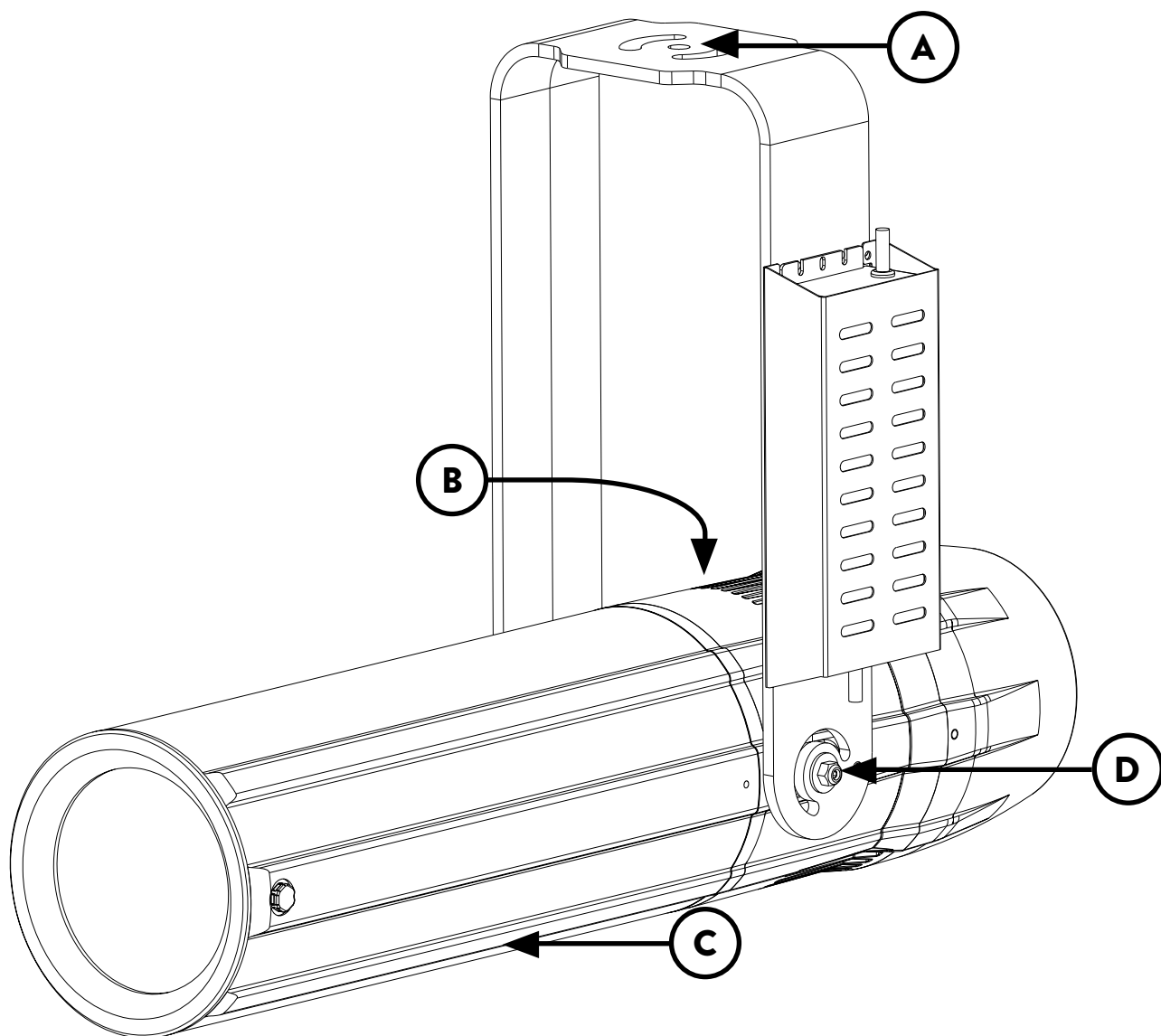


LEDko EXT with 10°-25° Optic



Gobo Holder

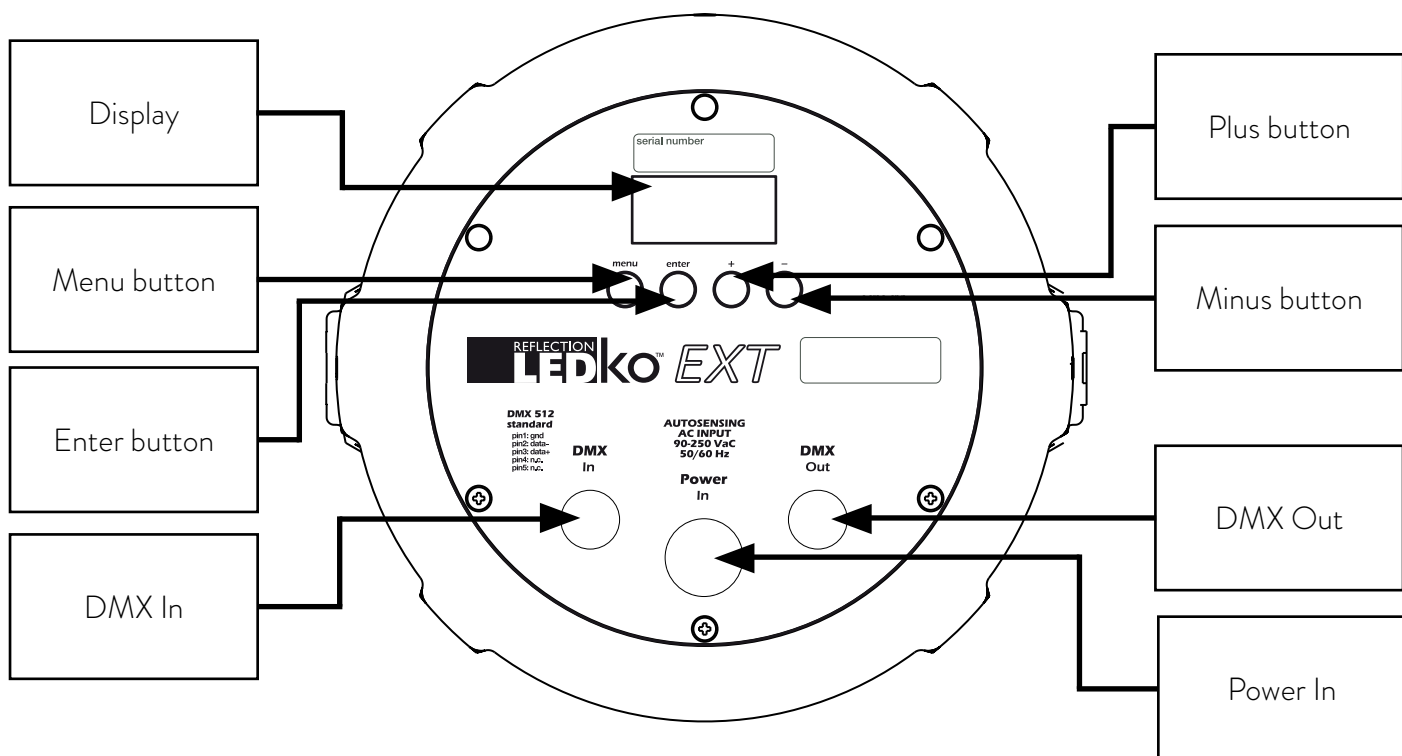
### 3.3 Unit's main components



Components description	
<b>A</b>	Yoke with mounting holes
<b>B</b>	Cooling unit
<b>C</b>	Optical holder tube
<b>D</b>	Locking screw for yoke



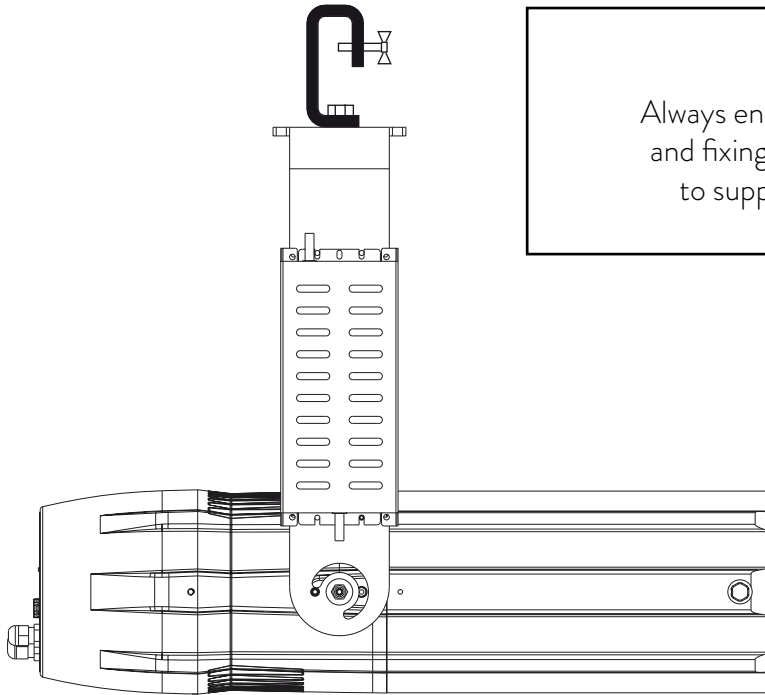
### 3.4 Back panel description



# 4. Installation

## 4.1 Mechanical installation

**LEDko EXT FullSpectrum RGBLA** may be hung from an appropriate structure in any position or on tripod. If hanging the fixture from a lighting truss or similar, we recommend the use of an appropriate clamp “**A**”, as shown in the following diagram.

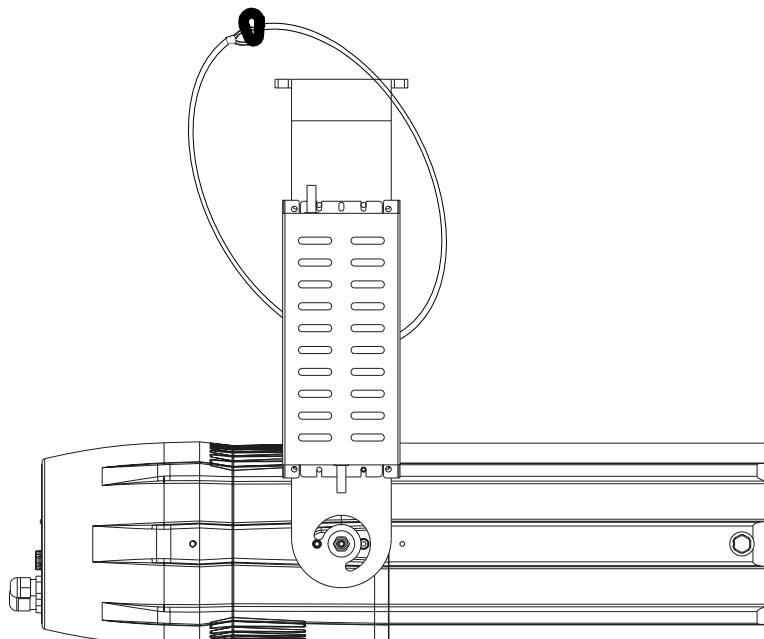


### Warning!!

Always ensure that your support structure and fixing (bolts, clamps, etc...) are rated to support the weight of the fixture.

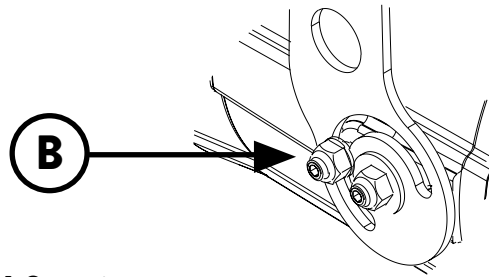
## 4.2 Safety chain

When hanging **LEDko EXT FullSpectrum RGBLA** it is recommended to use a safety chain, as required by current legislation. The safety chain must pass through the handles of the unit and then attached to the structure. If using steel cables and chains not **Coemar**'s production, make sure they are suitable to support the weight of the unit according to normative UL/ETL (required: the weight of 6 complete devices for at least one hour).



### 4.3 Adjusting unit's tilt

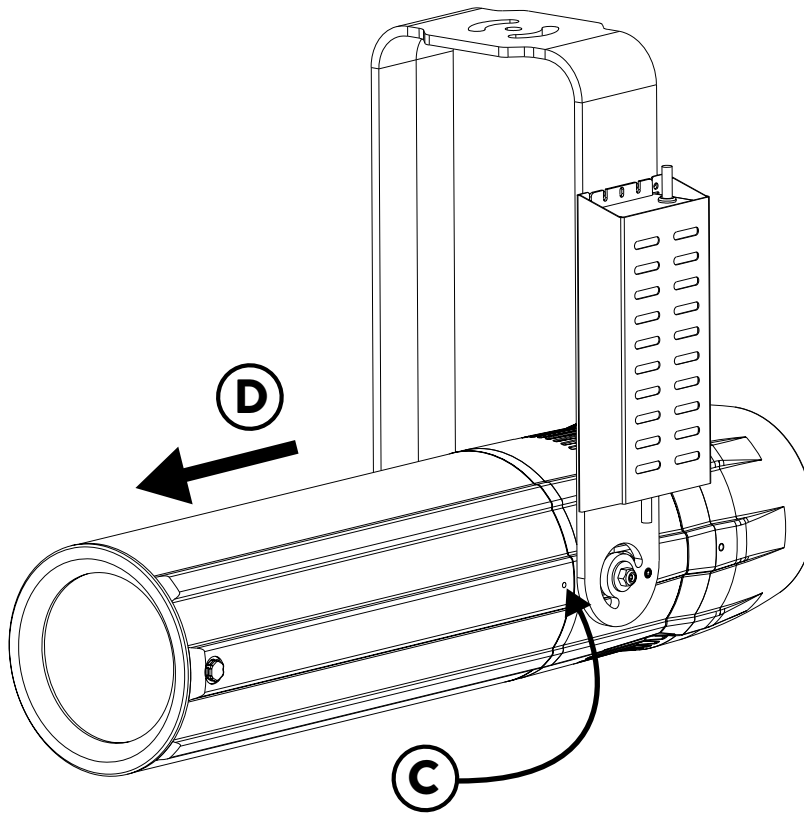
1. In order to adjust the tilt of the unit simply loose the side screw "B" on the yoke, adjust the tilt and lock the yoke by tightening the screw again.



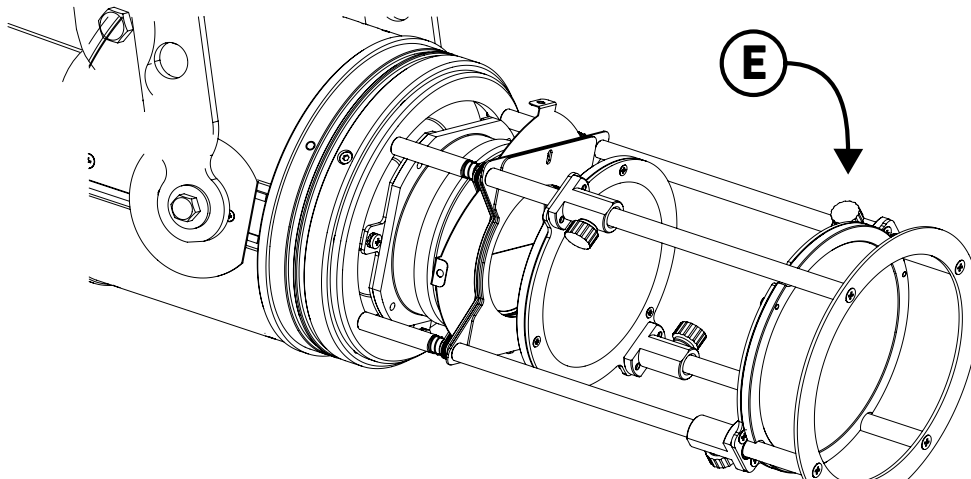
### 4.4 Optical group and framing system

Follow these steps in order to configure the optical group properly:

1. Remove the two screws "C" placed on both sides of the optical holder tube;
2. Gently remove the optical holder tube "D" pulling it away from the body;



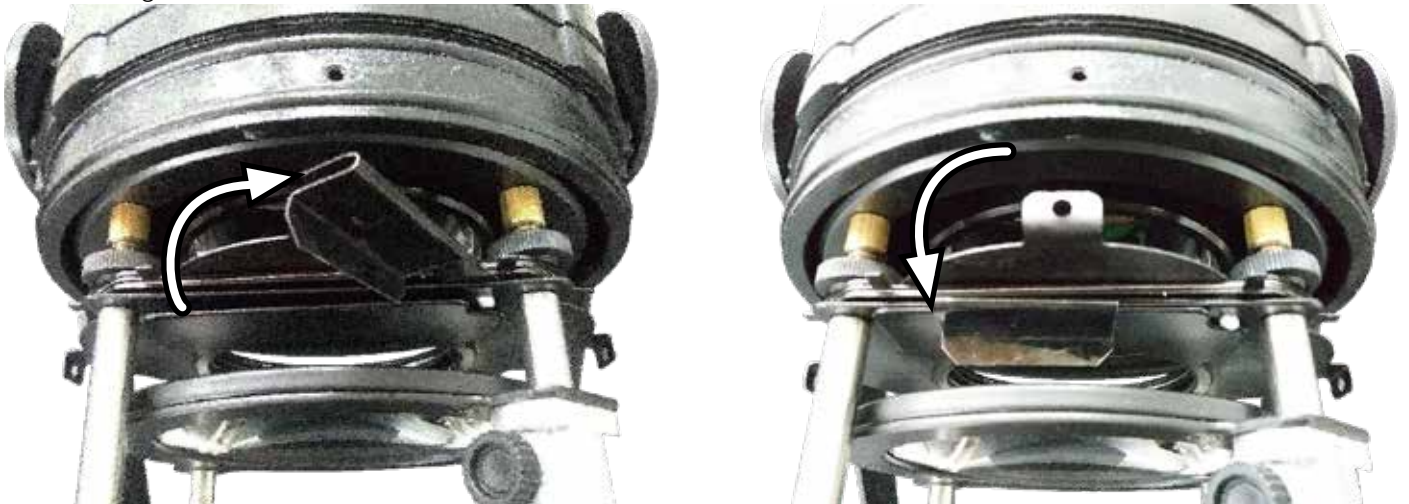
3. Loose the thumbscrews "E" of the two lenses to set them at desired position. Turn on the fixture and check if the desired focus and zoom lever are correct, then tighten the thumbscrews;



4. It is possible to regulate the blades "D" to achieve the desired shape, use the four thumbscrews "E" that you can see behind the blades to free or block them;



5. It is possible to use the gobos, to do so open the gobo holder, insert a normal gobo or a glass gobo and close the gobo holder;



6. Use the hole that you can see above and under the projector to lock the optical group's position, tighten the two screws symmetrically with each other in order to keep straight your optical group;



7. Reassemble the projector by pushing the optical holder tube on the optical group and tighten the screws that has been removed at the beginning.  
**NB:** When putting the screws, be careful not to tighten too much, otherwise it may deform the base of the optical holder tube.

# 5. Powering up

## 5.1 Operating voltage and frequency

The unit may operate at voltage ranges from 80 to 264 V at a frequency of 50 or 60 Hz. It is not needed to effect any setup procedures: **LEDko EXT FullSpectrum RGBLA** will automatically adjust its operation to suit any frequency or voltage within this range.

## 5.2 Connection to mains power

### Mains cable characteristics

The mains cable provided is thermally resistant, complying to the most recent International standards.

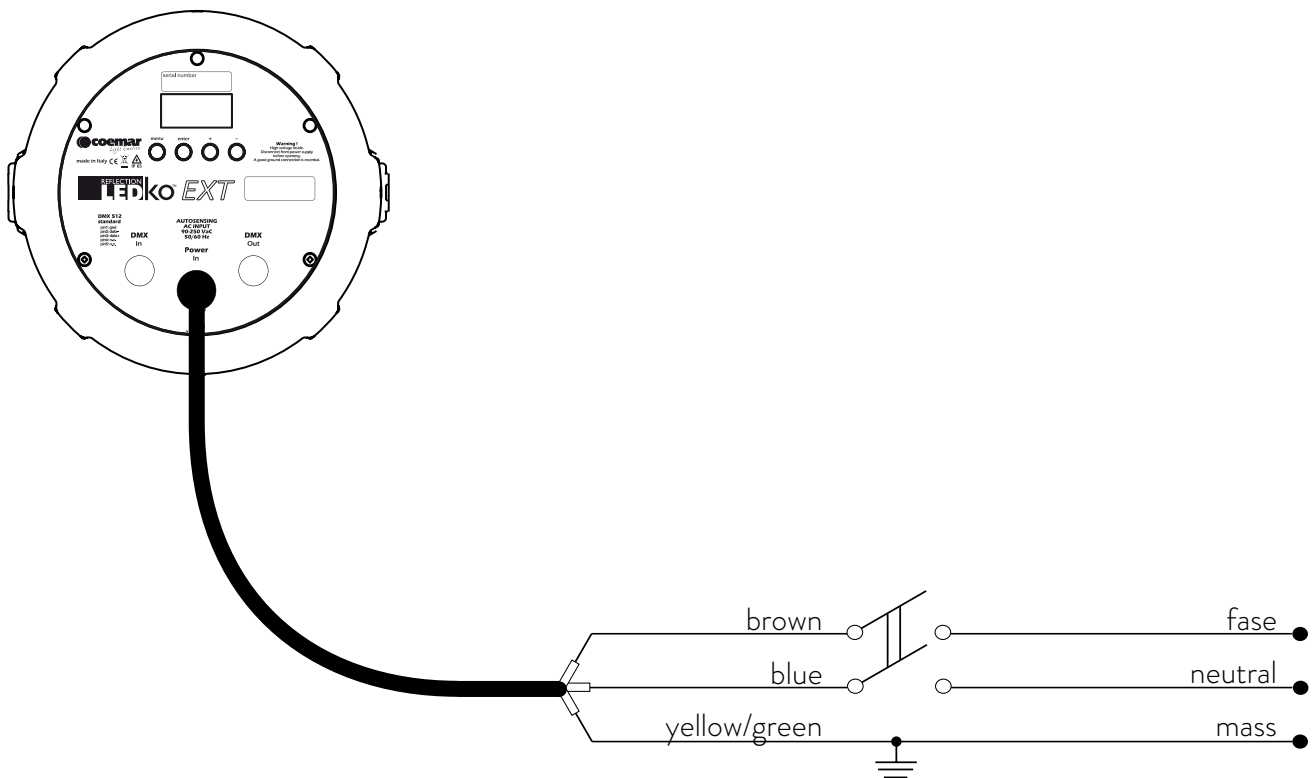
**Note:** in case of cable replacement, similar cable with comparable thermal resistant qualities must be used exclusively (cable 3 X 1,5 ø external 10 mm, rated 300/500 V, tested to 2 KV, operating temperature -40°C + 180°C, Coemar cod. CV5311).

### Connection to mains power

**LEDko EXT FullSpectrum RGBLA** is equipped with an internal cable without power plug.

The max absorption of **LEDko EXT FullSpectrum RGBLA** is reported in the following table:

- 230 V, 1.16 A constant during normal exercise.
- 115 V, 2.34 A constant during normal exercise.



### Warning!!

The use of a thermal/magnetic circuit breaker is recommended. Strict adherence to regulatory norms is strongly recommended.

**LEDko EXT FullSpectrum RGBLA** should not be powered through a dimmer as this may damage the internal switching power supply.

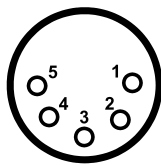
Prior to connecting the device to mains power, ensure that the mains characteristics are within the recommended range for the use of **LEDko EXT FullSpectrum RGBLA**.

All cabling and connections should be carried out by a suitably qualified personnel.

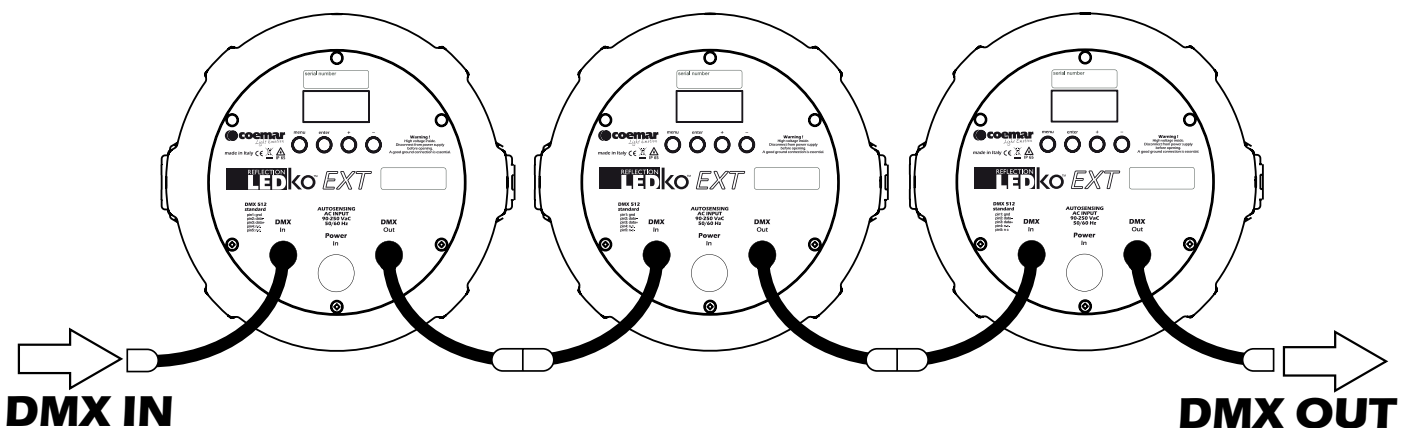
## 6. Control signal connections

### 6.1 Control signal connection by XLR5 plugs

The digital control signal is transmitted to the projector via a two pole cable screened as per International standards for the transmission of DMX 512 data. The connection must be serial, using connectors XLR5 male and female located on the back of **LEDko EXT FullSpectrum RGBLA** labelled DMX512 IN e OUT (see diagram). Connectors equipped on **LEDko EXT FullSpectrum RGBLA** are IP rated, which ensures protection against water and dust. In order to keep this rating they must be connected exclusively to other IP rated connectors.



- Pin 1 = Ground (GND)**
- Pin 2 = Data -**
- Pin 3 = Data +**
- Pin 4 = Not connected**
- Pin 5 = Not connected**



### Warning!

Make sure that screening and conductors are not in contact one another or with the metal housing of the connector. Pin#1 and housing never must be connected to the power supply unit.

# 7. Turning the projector on

After having followed the preceding steps described, proceed with the power supply and turn on the projector connecting it to the mains power.

The software version installed on the internal microprocessors will be shown on the display, suddenly it will show the current DMX addressing. If the address blinks, it means that the DMX signal has not been received. Check the connection cable and the mixer functioning.

## 7.1 DMX address of the unit

Each projector can use 16, 7, 1 address channels + Studio and RGB mode for its complete operation and is controlled by a DMX 512 signal.

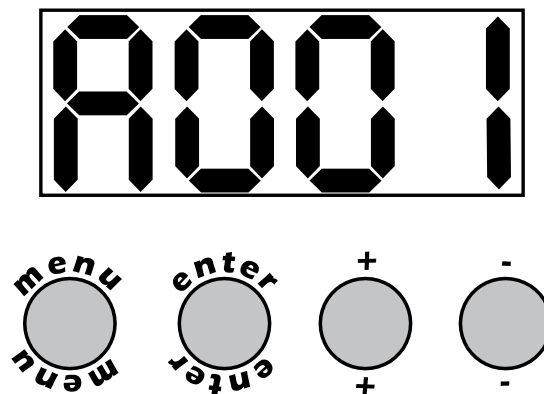
### DMX addressing

When powered up initially, each projector will show A001, which indicates DMX address 001; for example, when set at 16 channels a projector thus addressed will respond to commands of channel 1 to 16 from your DMX 512 controller. A second unit must be addressed as A017, a third one as A033 and so on. The operation must be carried out on every **LEDko EXT FullSpectrum RGBLA** which has an address different from A001.

### Altering the DMX address:

1. Press the + or – button until the display shows the required DMX address. The digits on the display will blink to indicate that the variation has not been registered.
2. Press the enter key to confirm your selection. The digits on the display panel will cease to blink and the projector will now respond to the new address.

**Note:** by holding the + or – button down the scrolling will be faster; thus allowing a faster selection



### Warning!

If you alter the DMX address with no DMX signal connected, the digits on the display panel will continue to flash even after you have pressed ENTER button to confirm the address.

# 8. DMX chart

## 8.1 DMX Chart 16, 7, 1 channels

channel			function	type of control	effect	decimal		percentage	
16	7	1							
1	1	1 <sup>2</sup>	master dimmer	proportional	adjust luminous output intensity from 0 to 100%	0	- 255	0%	- 100%
2	2	-	red	proportional	proportional control of the color percentage from 0 to 100%	0	- 255	0%	- 100%
3	3	-	green	proportional	proportional control of the color percentage from 0 to 100%	0	- 255	0%	- 100%
4	4	-	blue	proportional	proportional control of the color percentage from 0 to 100%	0	- 255	0%	- 100%
5	5	-	spare channel	step	no effect	0	- 255	0%	- 100%
6	6	-	lime	proportional	proportional control of the color percentage from 0 to 100%	0	- 255	0%	- 100%
7	7	-	amber	proportional	proportional control of the color percentage from 0 to 100%	0	- 255	0%	- 100%
8	-	-	strobe	step	no effect	0	- 9	0%	- 4%
				proportional	pulse effect	10	- 57	4%	- 22%
				step	no effect	58	- 255	23%	- 100%
9	-	-	dimmer fine	proportional	fine dimmer control 16 bit	0	- 255	0%	- 100%
10	-	-	special functions	step	no effect	0	- 71	0%	- 28%
					600 Hz	72	- 84	28%	- 33%
					fan at auto-silent speed	85	- 133	33%	- 52%
					enables the automatic display blackout	134	- 185	53%	- 73%
					disables the automatic display blackout	186	- 199	73%	- 78%
					LED control frequency tuning 1.000 Hz	200	- 205	78%	- 80%
					LED control frequency tuning 3.000 Hz	206	- 211	81%	- 83%
					LED control frequency tuning 6.000 Hz	212	- 217	83%	- 85%
					LED control frequency tuning 8.000 Hz	218	- 223	85%	- 87%
					LED control frequency tuning 10.000 Hz	224	- 229	88%	- 90%
					LED control frequency tuning 12.000 Hz	230	- 235	90%	- 92%
					LED control frequency tuning 14.000 Hz	236	- 241	93%	- 95%
LED control frequency tuning 16.000 Hz	242	- 247	95%	- 97%					
LED control frequency tuning 19.000 Hz	248	- 255	97%	- 100%					
11'	-	-	red tone	step	no effect	0	- 9	0%	- 4%
					R24 - Scarlet red	10	- 34	4%	- 13%
					R02 - Bastard amber	35	- 59	14%	- 23%
					R313 - Light relief yellow	60	- 84	24%	- 33%
					R18 - Flame	85	- 109	33%	- 43%
					R331 - Shell pink	110	- 134	43%	- 53%
					R25 - Orange red	135	- 159	53%	- 62%
					R46 - Magenta	160	- 184	63%	- 72%
					R08 - Pale gold	185	- 209	73%	- 82%
					R27 - Medium red	210	- 234	82%	- 92%
R318 - Mayan sun	235	- 255	92%	- 100%					



12 <sup>1</sup>	-	-	green tone	step	no effect	0	-	9	0%	-	4%
					R4460 - Calcolor 60 green	10	-	34	4%	-	13%
					R2004 - Storaro green	35	-	59	14%	-	23%
					E730 - Liberty green	60	-	84	24%	-	33%
					E088 - Lime green	85	-	109	33%	-	43%
					R90 - Kelly green	110	-	134	43%	-	53%
					R395 - Teal green	135	-	159	53%	-	62%
					R91 - Primary green	160	-	184	63%	-	72%
					R393 - Emerald green	185	-	209	73%	-	82%
					R393 - Leaf green	210	-	234	82%	-	92%
R86 - Pea green	235	-	255	92%	-	100%					
13 <sup>1</sup>	-	-	blue tone	step	no effect	0	-	9	0%	-	4%
					R2008 - Storaro indigo	10	-	34	4%	-	13%
					E5058 - French lilac	35	-	59	14%	-	23%
					R369 - Tahitian blue	60	-	84	24%	-	33%
					R347 - Belladonna rose	85	-	109	33%	-	43%
					R381 - Baldassari blue	110	-	134	43%	-	53%
					R57 - Lavander	135	-	159	53%	-	62%
					R55 - Lilac	160	-	184	63%	-	72%
					R4790 - Calcolor 90 magenta	185	-	209	73%	-	82%
					R92 - Turquoise	210	-	234	82%	-	92%
R370 - Italian blue	235	-	255	92%	-	100%					
14	-	-	white tone	step	no effect	0	-	9	0%	-	4%
				proportional	2.700 K	10	-	30	4%	-	12%
				step	proportional value from 2.700 K to 3.200 K	31	-	52	12%	-	20%
				proportional	3.200 K	53	-	74	21%	-	29%
				step	proportional value from 3.200 K to 4.000 K	75	-	96	29%	-	38%
				proportional	4.000 K	97	-	118	38%	-	46%
				step	proportional value from 4.000 K to 5.000 K	119	-	140	47%	-	55%
				proportional	5.000 K	141	-	162	55%	-	64%
				step	proportional value from 5.000 K to 5.600 K	163	-	184	64%	-	72%
proportional	5.600 K	185	-	206	73%	-	81%				
step	proportional value from 5.600 K to 6.500 K	207	-	228	81%	-	89%				
proportional	6.500 K	229	-	255	90%	-	100%				
15 <sup>2</sup>	-	-	green saturation	step	no effect	0			0%		
				proportional	exalts the green color in the mixing and diminishes the presence of magenta	1	-	127	0%	-	50%
				step	no effect	128			50%		
				proportional	diminishes the presence of green in the mixing and exalts the green color	129	-	254	51%	-	99%
				step	no effect	255			100%		
16 <sup>3</sup>	-	-	saturation	proportional	the white tone fades to the tone built with the RGBLA channels	0	-	255	0%	-	100%

**Note 1:** colors macros of channels 11-12-13 can also be obtained through the mixing of channels 2-3-4-6-7.

**Note 2:** the rest position of green saturation is 128. Diminishing the DMX value augments the presence of the green color. Increasing the DMX value augments the presence of magenta.

**Note 3:** increasing the value of the saturation DMX channel the white tone (channel 14) will fade to the color selected by the channel 2-3-4-6-7.

## 8.2 DMX Chart Studio mode

channel	function	type of control	effect	decimal	percentage
<b>1</b>	master dimmer	proportional	adjust luminous output intensity from 0 to 100%	0 - 255	0% - 100%
<b>2</b>	white tone	step	3.200 K	0 - 10	0% - 4%
			2.700 K	11 - 16	4% - 6%
			2.800 K	17 - 22	7% - 9%
			2.900 K	23 - 28	9% - 11%
			3.000 K	29 - 34	11% - 13%
			3.100 K	35 - 40	14% - 16%
			3.200 K	41 - 46	16% - 18%
			3.300 K	47 - 52	18% - 20%
			3.400 K	53 - 58	21% - 23%
			3.500 K	59 - 64	23% - 25%
			3.600 K	65 - 70	25% - 27%
			3.700 K	71 - 76	28% - 30%
			3.800 K	77 - 82	30% - 32%
			3.900 K	83 - 88	33% - 35%
			4.000 K	89 - 94	35% - 37%
			4.100 K	95 - 100	37% - 39%
			4.200 K	101 - 106	40% - 42%
			4.300 K	107 - 112	42% - 44%
			4.400 K	113 - 118	44% - 46%
			4.500 K	119 - 124	47% - 49%
			4.600 K	125 - 130	49% - 51%
			4.700 K	131 - 136	51% - 53%
			4.800 K	137 - 142	54% - 56%
			4.900 K	143 - 148	56% - 58%
			5.000 K	149 - 154	58% - 60%
			5.100 K	155 - 160	61% - 63%
5.200 K	161 - 166	63% - 65%			
5.300 K	167 - 172	65% - 67%			
5.400 K	173 - 178	68% - 70%			
5.500 K	179 - 184	70% - 72%			
5.600 K	185 - 190	73% - 75%			
5.700 K	191 - 196	75% - 77%			
5.800 K	197 - 202	77% - 79%			
5.900 K	203 - 208	80% - 82%			
6.000 K	209 - 214	82% - 84%			
6.100 K	215 - 220	84% - 86%			
6.200 K	221 - 226	87% - 89%			
6.300 K	227 - 232	89% - 91%			
6.400 K	233 - 238	91% - 93%			
6.500 K	239 - 244	94% - 96%			
5.600 K	245 - 255	96% - 100%			
<b>3<sup>1</sup></b>	green saturation	step	no effect	0	0%
		proportional	exalts the green color in the mixing and diminishes the presence of magenta	1 - 127	0% - 20%
		step	no effect	128	50%
		proportional	diminishes the presence of green in the mixing and exalts the green color	129 - 254	51% - 99%
		step	no effect	255	100%
<b>4<sup>2</sup></b>	saturation	proportional	the white tone fades to the tone built with the hue channel	0 - 255	0% - 100%

<b>5</b>	hue	proportional	reproduce the color crossfades around the color space	0	-	255	0%	-	100%
<b>6</b>	dimmer fine	proportional	fine dimmer control 16 bit	0	-	255	0%	-	100%
<b>7</b>	special functions	step	no effect	0	-	71	0%	-	28%
			600 Hz	72	-	84	28%	-	33%
			fan at auto-silent speed	85	-	133	33%	-	52%
			enables the automatic display blackout	134	-	185	53%	-	73%
			disables the automatic display blackout	186	-	199	73%	-	78%
			LED control frequency tuning 1.000 Hz	200	-	205	78%	-	80%
			LED control frequency tuning 3.000 Hz	206	-	211	81%	-	83%
			LED control frequency tuning 6.000 Hz	212	-	217	83%	-	85%
			LED control frequency tuning 8.000 Hz	218	-	223	85%	-	87%
			LED control frequency tuning 10.000 Hz	224	-	229	88%	-	90%
			LED control frequency tuning 12.000 Hz	230	-	235	90%	-	92%
			LED control frequency tuning 14.000 Hz	236	-	241	93%	-	95%
			LED control frequency tuning 16.000 Hz	242	-	247	95%	-	97%
LED control frequency tuning 19.000 Hz	248	-	255	97%	-	100%			

**Note 1:** the rest position of green saturation is 128. Diminishing the DMX value augments the presence of the green color. Increasing the DMX value augments the presence of magenta.

**Note 2:** Increasing the value of the saturation DMX channel (channel 4) the white light will fade to the color selected with the hue channel (channel 5)

## 8.3 DMX Chart RGB mode

channel	function	type of control	effect	decimal	percentage
1	master dimmer	proportional	adjust luminous output intensity from 0 to 100%	0 - 255	0% - 100%
2	dimmer fine	proportional	fine dimmer control 16 bit	0 - 255	0% - 100%
3	red	proportional	proportional control of the color percentage from 0 to 100%	0 - 255	0% - 100%
4	green	proportional	proportional control of the color percentage from 0 to 100%	0 - 255	0% - 100%
5	blue	proportional	proportional control of the color percentage from 0 to 100%	0 - 255	0% - 100%
6	white tone	step	no effect	0 - 9	0% - 4%
			2.700 K	10 - 30	4% - 12%
		proportional	proportional value from 2.700 K to 3.200 K	31 - 52	12% - 20%
			step	3.200 K	53 - 74
		proportional	proportional value from 3.200 K to 4.000 K	75 - 96	29% - 38%
			step	4.000 K	97 - 118
		proportional	proportional value from 4.000 K to 5.000 K	119 - 140	47% - 55%
			step	5.000 K	141 - 162
		proportional	proportional value from 5.000 K to 5.600 K	163 - 184	64% - 72%
			step	5.600 K	185 - 206
proportional	proportional value from 5.600 K to 6.500 K	207 - 228	81% - 89%		
	step	6.500 K	229 - 255	90% - 100%	
7	saturation	proportional	the white tone fades to the tone built with the hue channel	0 - 255	0% - 100%
8	strobe effect	step	no effect	0 - 9	0% - 4%
		proportional	pulse effect	10 - 57	4% - 22%
		step	no effect	58 - 255	23% - 100%
9	special function	step	no effect	0 - 71	0% - 28%
			600 Hz	72 - 84	28% - 33%
			fan at auto-silent speed	85 - 133	33% - 52%
			enables the automatic display blackout	134 - 185	53% - 73%
			disables the automatic display blackout	186 - 199	73% - 78%
			LED control frequency tuning 1.000 Hz	200 - 205	78% - 80%
			LED control frequency tuning 3.000 Hz	206 - 211	81% - 83%
			LED control frequency tuning 6.000 Hz	212 - 217	83% - 85%
			LED control frequency tuning 8.000 Hz	218 - 223	85% - 87%
			LED control frequency tuning 10.000 Hz	224 - 229	88% - 90%
			LED control frequency tuning 12.000 Hz	230 - 235	90% - 92%
			LED control frequency tuning 14.000 Hz	236 - 241	93% - 95%
			LED control frequency tuning 16.000 Hz	242 - 247	95% - 97%
LED control frequency tuning 19.000 Hz	248 - 255	97% - 100%			

# 9. Display panel functions

## 9.1 Quick guide to menu

To access the functions menus just press the MENU button. Then press + or – buttons to scroll the pages and press the ENTER button to access to any other function.

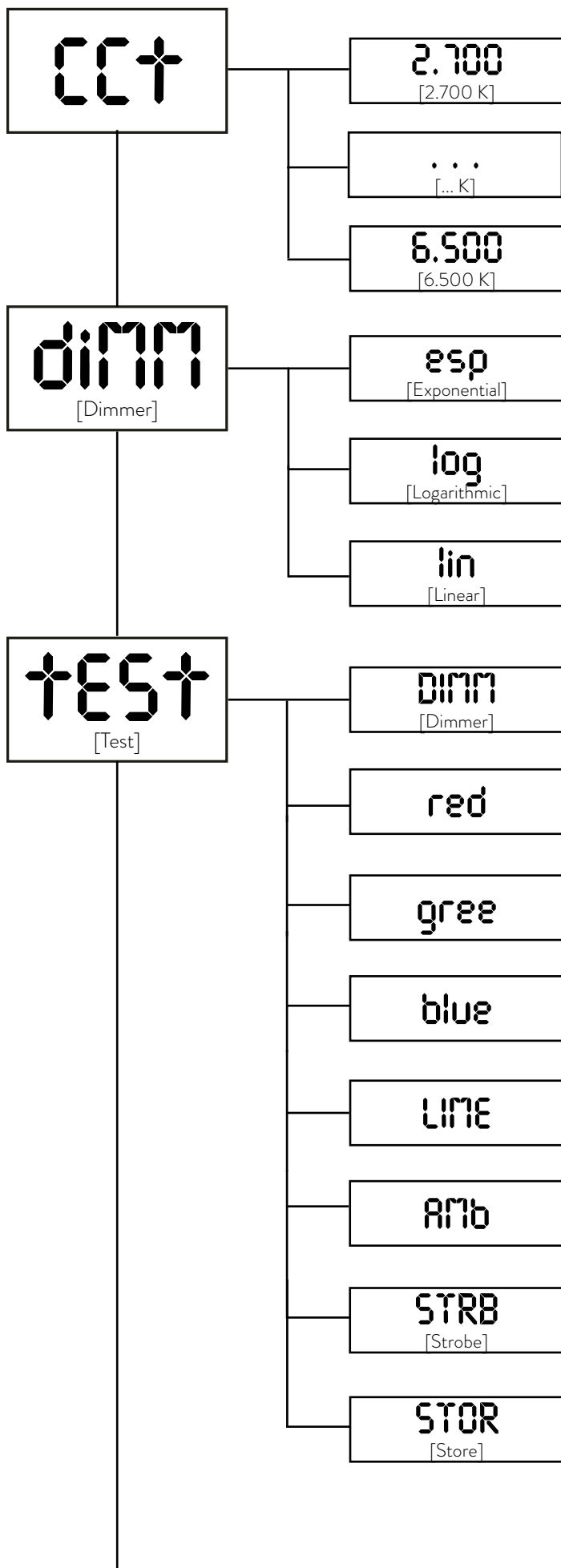
By suitably using all the functions of **LEDko EXT FullSpectrum RGBLA**, which can be activated through its display panel, it is possible to change some of the parameters and to add some functions. Changing the preset settings made by **Coemar** can vary the functions of the projector so that it will respond differently to the controller; therefore carefully read about the functions described here before carrying out any possible selection.

## 9.2 Rapid count

Through the display panel of **LEDko EXT FullSpectrum RGBLA** it is possible to quickly change the various numbers displayed for the different functions in the following 3 manners:

1. Pressing the + or – buttons will cause the count to be quicker.
2. Pressing first + and then – and then holding them down simultaneously will cause the numbers to jump to the highest value.
3. Pressing first – and then + and then holding them down simultaneously will cause the number to jump to the lowest value.

### 9.3 Main functions menu (FUNC)



#### CCT:

It allows to vary the channel of white on several color temperatures from 2.700 K to 6.500 K, without DMX signal.

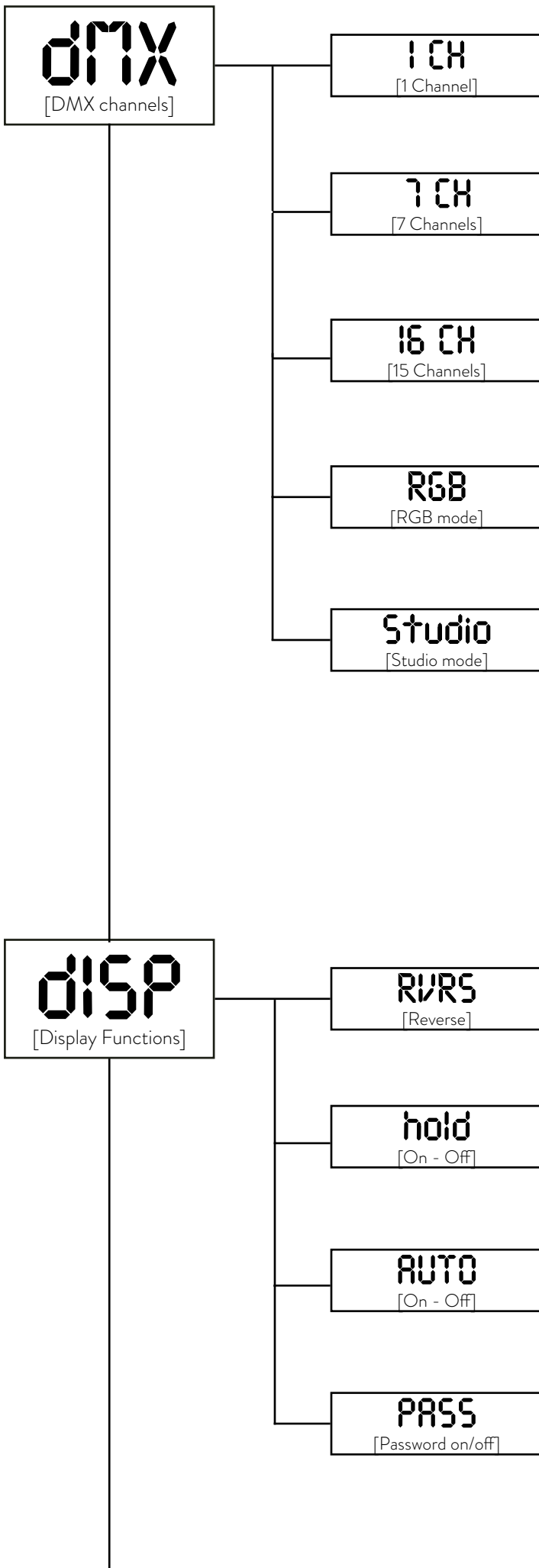
#### Dimmer:

It allows to choose the type of dimmer curves between exponential, logarithmic and linear (exponential as default).

#### Test:

Allows to manually set the DMX channels controlled by a DMX console:

- **Dimmer:** sets the luminous intensity;
- **Strobe:** manually sets the strobe DMX channel;
- **Store:** stores the modifications that will be set at the next times the fixture will be turned on.



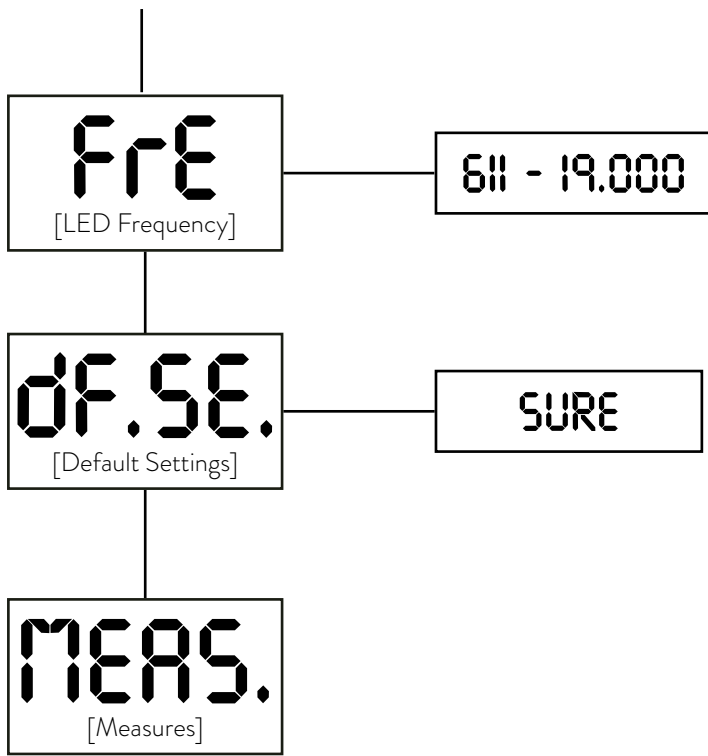
### DMX channels:

- **1 CH:** it allows to change the white color temperature;
- **7 CH:** it allows to let the projector to work only with **RGBLA** channels and dimmer;
- **16 CH:** it adds RGB color macros and white temperature channels with green presence and saturation control;
- **RGB mode:** it reproduces the setting of a standard RGB fixture.
- **Studio mode:** it replicates the variable white settings, allowing the selection of different CCT levels, green saturation, saturation and hue;

### Display Functions:

- **Reverse:** it allows to turn 180° the reading of the display;
- **Hold:** locks the keys. Press any key for 5" to unlock;
- **Auto:** it allows to turn off the display after 6 seconds.
- **Password:** Allows to set a keyboard lock after 10 seconds of inactivity. The keyboard can be unlocked with a password;

**Note:** The AUTO and PASS function become active only when the DMX address selection is displayed (A001).



**LED Frequency:**

It allows to set the flickering frequency from 611 to 19.000 Hz besides the default value. (DMX signals goes ahead this setting).

**Default Settings:**

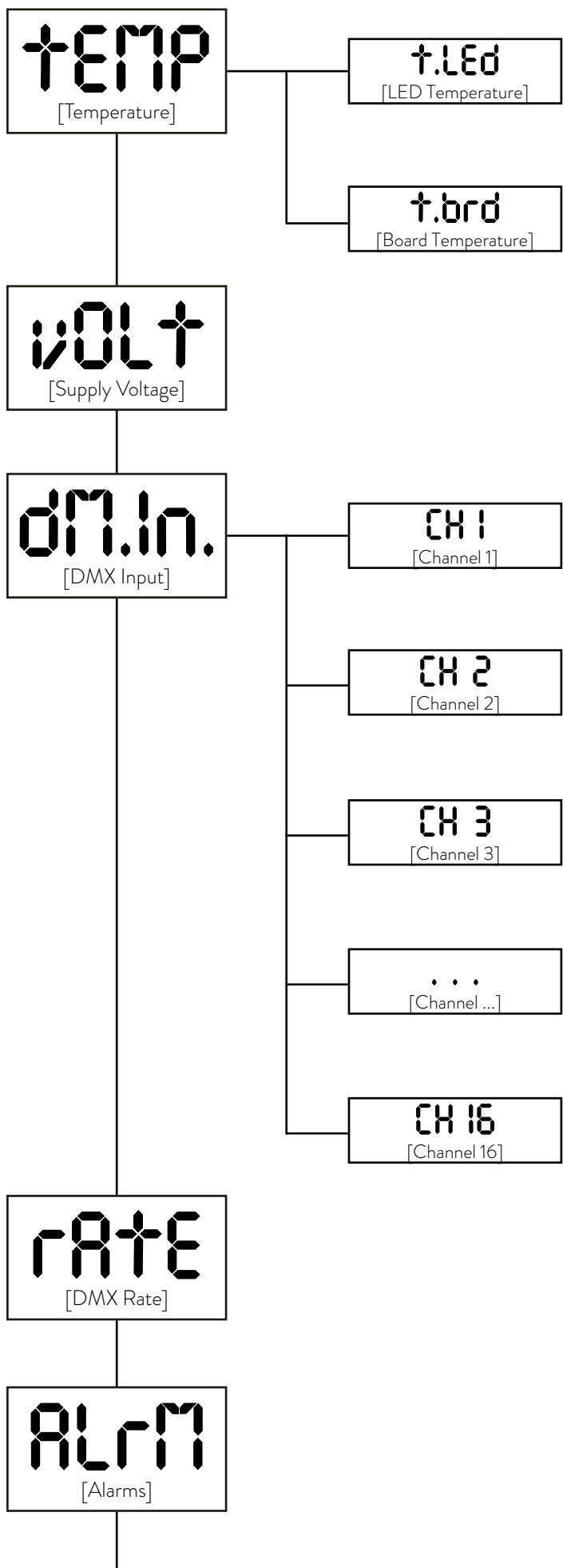
Allows to restore the factory default of the fixture, with exception of DMX address and LED alignment.

**Measures:**

Allows to read all the parameters: LED and board temperatures, fan level, DMX ratio, DMX, alarms, channels value and software version.



## 9.4 Measures menu (MEAS)



### Temperature:

Shows the current temperature values:

- **LED:** shows the LED module temperature;
- **Board:** shows the electronic board temperature.

### Volt:

Shows the power supply voltage.

### DMX Input:

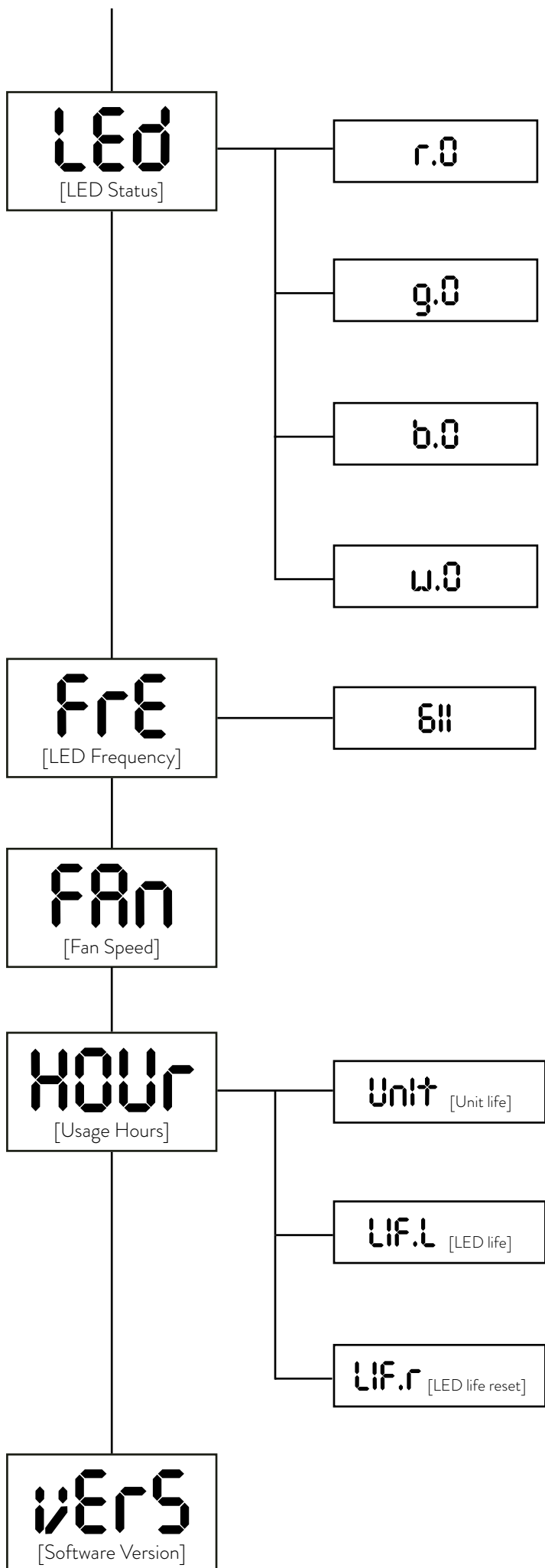
Shows the value of the DMX channels received by the fixture on every channel that the fixture occupies on the line.

### Rate:

Shows the refresh rate of the DMX signal sent by the console.

### Alarm:

This menu eventually shows the alarm statuses if there is any.



**LED:**

Shows the percentage value of the LED status.

**Fre:**

Shows the operating frequency of the LED (611 Hz as default).

**Fan speed:**

Shows the percentage fan usage.

**Usage hours:**

Shows the hour counter of the fixture:

- **Unit:** shows the overall hours of life of the fixture;
- **LED life:** shows the overall LED module life;
- **LED life reset:** shows the overall LED module life currently installed.

**Note:** this items can be reset in case of LED module replacement;

**Software version:**

Shows the software version currently installed in the fixture.

## 9.5 Electronic alignment of the leds

The display panel of **LEDko EXT FullSpectrum RGBLA** allows the electronic alignment of the LEDs, this procedure is performed by **Coemar** at the time of testing, this procedure may be useful for special effects or in case of replacement of internal components (PCBs, LEDs, etc...).

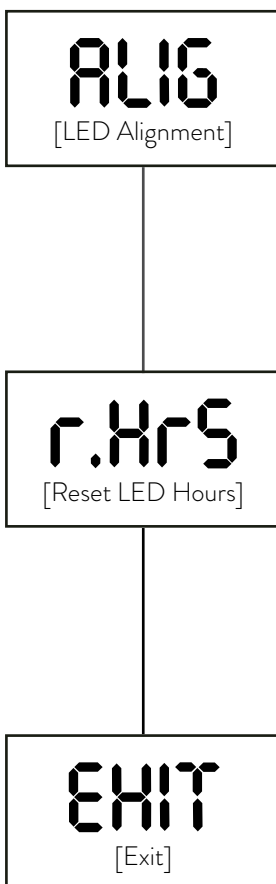
Altering the settings made by **Coemar** may radically alter the operation of the projector's functions. Carefully read the following prior to attempting any changes.

### Warning!!

This chapter should be considered for the exclusive use of technicians and qualified personnel.

### Warning!!

This menu can only accessed in the **DF.SE.** [Default Settings] menu by pressing at the same time **ENTER** and **MENU** buttons. This menu shall be accessed only by authorized technicians.



### LED alignment:

This item allows to align the minimum and the maximum level of intensity of the LEDs:

- **Minimum:** raise or lowers the minimum intensity to level the dimming between the fixtures;
- **Maximum:** aligns the maximum output level between each fixture;
- **Exit:** exits the menu and stores the changes;

### Reset hours:

Allows to erase the hours of operation of the LED module in case of replacement;

## 9.6 Special functions of the fixture

### Storing the DMX signal

To use the fixture without an active DMX console it is possible to store the DMX settings in two ways:

- Through the **TEST** menu;
- Disconnecting the DMX signal when the fixture is on. When the signal is unconnected the fixtures stores the signal;

### Automatic fan standby

To decrease the noise and the power consumption the cooling fan turns off after 10 minutes of fixture inactivity.

## 9.7 Error messages

If a malfunction occurs, **LEDko EXT FullSpectrum RGBLA** has a self-diagnostic system that will show the error message on the display. The following table will explain in detail the most common errors. If, despite of suggested intervention, the problem persists, call the **Coemar** Service Center.

Error code	Description
<b>noal</b> [No Alarm]	<b>No Alarm</b> The projector self-diagnostic routine didn't find any issue.
<b>DTER</b> [Data Error]	<b>Data error</b> Initial data loading has failed the projector loaded the default data settings: restart the fixture again, and if the error persists contact the <b>Coemar</b> assistance center.
<b>ADER</b> [Address Error]	<b>Address error</b> The projector does not receive all channels of DMX needs to function properly. Check the DMX address indicated on the display and the number of channels generated by the mixer control. We recall in this connection that some controllers do not generate all the 512 channels.
<b>LED</b> [LED Error]	<b>LED error</b> Auto diagnostic routine found that the LED module may damaged, contact Coemar assistance for the module replacement. <b>IMPORTANT:</b> To ensure the sensor is giving correct readings, set the LED to the maximum light output level.

# 10. Accessories and spare parts

All the components of **LEDko EXT FullSpectrum RGBLA** are available as spare parts from your **Coemar** dealer or Service. Accurate description of the fixture, model number and type will assist us in providing for your requirements in an efficient and effective manner.

# 11. Maintenance

## 11.1 Firmware update

The firmware of **LEDko EXT FullSpectrum RGBLA** can be updated through the RDM protocol (ANSI E1.20). Contact **Coemar** assistance to receive the software and the device updater.

## 11.2 Periodic cleaning

### Lenses

Even a thin layer of dust can reduce the luminous output and alter the consistency of the beam. Regularly clean all filters and lenses using a soft cotton cloth, dampened with a special lens cleaning solution.

### Cleaning of the unit

Use a soft brush or a common vacuum cleaner or a source of compressed air for removing dust. For the cleaning of the housing use a soft cloth and a non-aggressive cleaner. Check that the internal fans and heat exchanger must be perfectly clean.

## 11.3 Periodic controls

### Mechanical components

Check the correct working of the mechanical parts and, if needed, replace them. Make sure the projector is not mechanically damaged. If necessary, replace the worn parts.

### Electrical components

Check all electrical connections, in particular for correct grounding and correct attachment of all extractable connectors. Press the connectors if necessary and reposition as before.

## 11.4 Fuses

**LEDko EXT FullSpectrum RGBLA** has an automatic fuse that in most cases does not need to be replaced.

## 12. F.A.Q. and answers

The following list shows common issues that may be simply solved. If issues persist, the unit must be repaired by a qualified personnel or just contact your **Coemar** service.

Question	Possible solution
<b>LEDko EXT FullSpectrum RGBLA</b> does not emit light	<b>Projector not powered on:</b> <ul style="list-style-type: none"><li>• Make sure the power cable is plugged in or test the input voltage;</li></ul> <b>Wrong DMX address:</b> <ul style="list-style-type: none"><li>• Check the DMX Address setting and the output signal of the controller.</li></ul>
<b>LEDko EXT FullSpectrum RGBLA</b> is not responding to DMX signal	<b>DMX signal may not reach LEDko EXT:</b> <ul style="list-style-type: none"><li>• Inspect the cable connection, correct poor connections or inefficient repair or replace damaged cables; Check DMX address of the unit.</li></ul>

**User notes**

.....

.....

.....

.....

.....

.....

.....

.....

.....

.....

.....

.....

.....

.....

.....

.....

.....

.....

.....

.....

.....

.....

.....

.....

.....



**Information on disposal of the equipment**

The equipment at the end of its useful life must be disposed of at an appropriate recycling center for waste electrical and electronic equipment. The treatment and disposal of environmentally friendly, helps prevent potential negative environmental and health and promote the reuse and / or recycling of materials making up the equipment. Illegal disposal by the user includes the application of administrative sanctions provided by law.





**Coemar Lighting s.r.l.**

Via Carpenedolo 90  
46043 Castiglione delle Stiviere, Mantova, Italy  
phone. +39 0376/1514412 - fax +39 0376/1514380  
[info@coemar.com](mailto:info@coemar.com)

**Coemar** reserves the right to change specifications without prior notice