



Risalto LED M Tungsten +

Product code:
F134C000M (Fresnel)
F134C000N (PC)

Last update:
05/06/2023



Rialto LED M Tungsten +

Introducing

● Designed with + electronic and a new OLED display, this Fresnel or PC projector is the evolution of the Rialto Tungsten. The + electronic with advanced LED controller enables a smooth dimming and it offers and higher luminous efficiency. Very quick setup of the functions thanks to the potentiometer knob

Key Features



● 200W Tungsten COB LED



● CRI > 90



● CCT Fixed White 3.200 K



● Fresnel or PC lenses (diameter 150 mm / 5.9 in)
● Zoom range from 11° to 82° (with Fresnel lens)
● Zoom range from 11° to 66° (with PC lens)



● Steel and die cast aluminium with High-quality epoxy powder coating protects against corrosion



● Custom color on request (optional)



● Manual (standard) or Pole Operated Pan-Tilt (Optional)



● European Conformity certification

General	
● LED Source	200 W Tungsten COB LED
● CCT Range	●●●●● Fixed White 3.200 K
● Color Rendition Average	CRI > 90
● Dimming	8 or 16 bit, 5 selectable curves: Exponential, Logarithmic, Linear, Halo and Standard
● Dimming Smooth Selection	Fast, Slow and Very Slow
● Strobe	Electronic strobe, synchronized, random, pulse effect
● Lens	Glass Fresnel or PC lenses (diameter 150 mm / 5.9 in)
● Optical	Zoom range from 11° to 82° (with Fresnel lens) Zoom range from 11° to 66° (with PC lens)
● Camera flicker control/Hz range	Flicker-free operation with LEDs frequency controlled via DMX from 600 to 20.000 Hz
● Calibrated Cob	Yes
● L80 Rating (hours to 80% output)	50.000 Hours
Electrical	
● Voltage Input	85-264 V, 50/60 Hz, auto-sensing
● Power Consumption	200 W Maximum - 0.92 A at 230 V, 1.83 A at 115 V - cosφ 0.95
● Power Connection	In and Out PowerCON TRUE1 Top connectors, 1.5 m (4.9 ft) PowerCon cable without power plug
● Data Connection	In and Out DMX 5 pin locking XLR connectors
Thermal	
● Ambient Operating Temperature	0°C - +40°C (32°F - 104°F)
● Fan (controllable)	Yes, 4 different settings: Silent, Studio, Auto, DMX Regulated
Control	
● Protocols	DMX-512, RDM (Remote Device Management), Wireless (optional By LumenRadio)
● RDM configuration	Yes
● DMX Channels	5 / 1
● Display	Graphic OLED with on-board selector for quick setting
● Software Upload	Through DMX with RDM Upgrade USB interface (code AC10011A001)
Physical	
● Yoke	Manual (standard) or Pole Operated Pan-Tilt (optional)
● Materials	Steel and die cast aluminium with High-quality epoxy powder coating protects against corrosion
● Weight	8.5 Kg / 18.74 lbs
● Length	413 mm / 16.26 in
● Height	218 mm / 8.58 in - With bracket: 348 mm / 13.70 in
● Width	281 mm / 11.06 in
● IP Rating	IP20
● Color options	Black (standard), custom color on request (optional)
General accessories	
BC10034A003	4-Leaf Barndoor (included)
GKIT17 (USA) / GKIT16 (EU)	1.5 m (4.9 ft) power cable with PowerCON TRUE1 Top and bare ends (included)
BC10034A006	Color frame holder (optional)



PC lens

Rialto Led + Rear Panel / PC lens

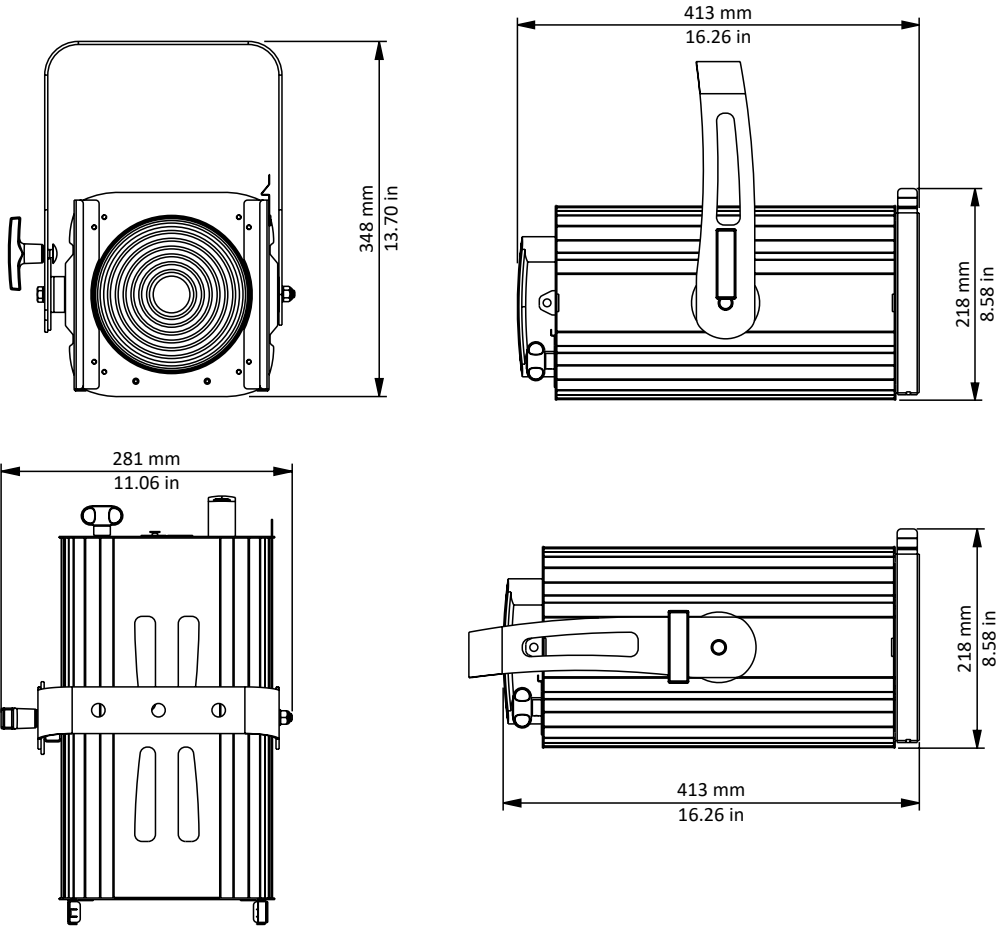
DMX Charts

5 Channels

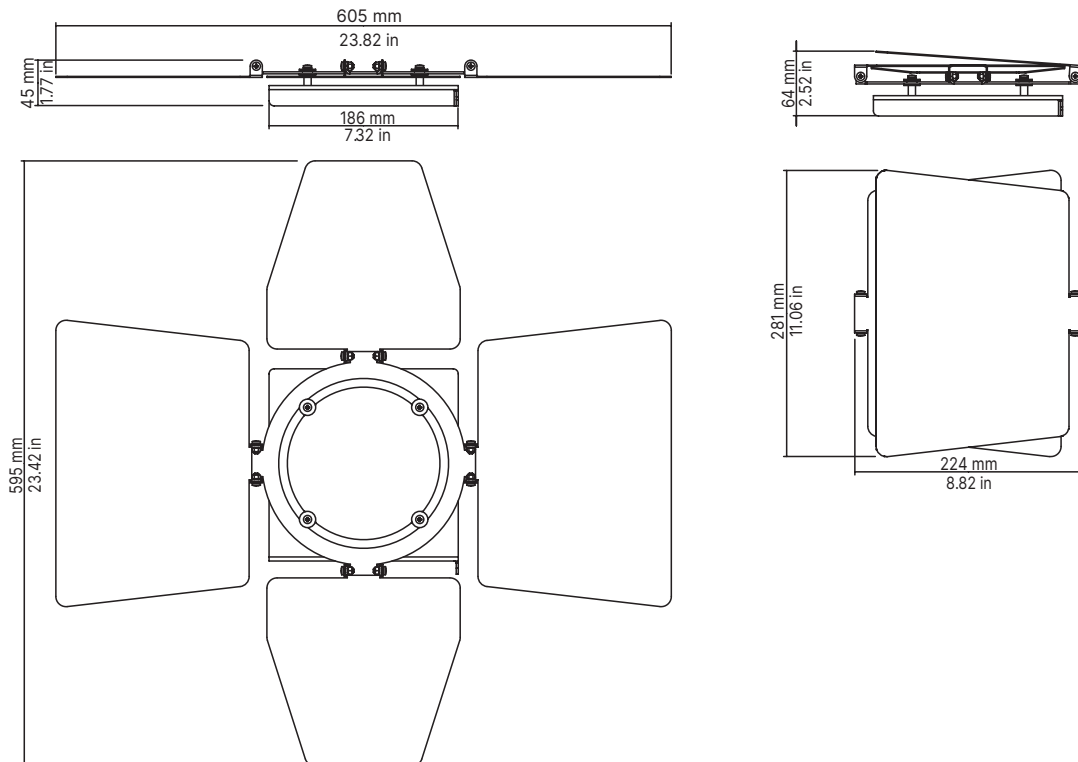
- 01 → Master Dimmer
- 02 → Spare Channel
- 03 → Dimmer Fine
- 04 → Strobe
- 05 → Special Functions

1 Channel

- 01 → Master Dimmer



4-Leaf Barndoor





Theatre - Teatro Comunale of Bologna, Italy

Product	Risalto M T fresnel
CCT	3.200 K
CRI	>97

● Coemar Lighting S.r.l.

Via Carpenedolo, 90
46043, Castiglione delle Stiviere (MN) – Italy

P. +39 0376 1514412

M1. info@coemar.com

M2. service@coemar.com

W. coemar.com

P.iva – C.f. 02415330204

