

LEDko EXT T/D

Dual Gobo Rotator +

Product code:
F128E001A (T CRI 80)
F128C001A (T CRI 90)
F128F001A (D CRI 80)
F128D001A (D CRI 90)

Last update:
21/02/2024



LEDko EXT T/D Dual Gobo rotator

Introducing

● The **LEDko EXT family** has been designed to meet the needs of architects and lighting designers, who were looking for **weatherproof lighting fixtures** suitable not only for temporary, but also for **permanent outdoor installations**.












This unique IP 65 LED Profile Spot Light includes a **dual gobo rotator engine** controllable by DMX: in this way the two gobos can be used at the same time in counter-rotation to create impressive dynamic effects such as water, fire, rain, etc.

The **four-blade framing system** is however available as an accessory and can be used instead of the dual gobo rotator.

A **zoom lens** system ranging from 14° to 35°, 10° to 25°, 30° to 60° or fixed at 80°, bare ends power input cable and in/out 5 pin XLR connectors for DMX signal rated IP 65 complete the product profile. The fixture has in addition a **lockable display** thanks to a freely selectable security pin code.

Fixed white CCT (3.200 K or 5.600 K) and RGBLA color versions available.

Key Features

-  ● Spot projector for dynamic lighting effects
-  ● Dual gobo rotator engine controllable by DMX
-  ● Tungsten or Daylight COB LED
-  ● CCT Fixed White 3.200K or 5.600K
-  ● IP65 (weatherproof)
-  ● For permanent outdoor installation
-  ● Available zoom: 14°-35°, 10°-25°, 30°-60° and optic 80°
-  ● Four blade framing system (optional accessory)
-  ● Die-cast aluminum (Anti-Salt treatment)
-  ● Custom color on request (optional)
-  ● European Conformity certification

General	
● LED Source	Tungsten or Daylight COB LED
● CCT Range	●●●●● Fixed White 3.200 K or 5.600 K
● Color Rendition Average	CRI> 80 or CRI> 90
● Dimming	Smooth 100% to 0%, 5 Selectable Curves - Exponential, Logarithmic, Linear, Halo and Standard
● Dimming Smooth Selection	Fast, Slow and Very Slow
● Strobe	Pulse electronic strobe
● Rotating gobo	Yes, two overlapping rotating gobos
● Lens	Zoom from 14° to 35°, from 10° to 25°, 30° to 60° and optic 80°
● Camera flicker control/Hz range	Flicker-free operation with LEDs frequency controlled via DMX from 600 to 20.000 Hz
● Calibrated Cob	Yes
● L80 Rating (hours to 80% output)	50.000 Hours
● Pattern Projection	Yes
● Pattern Size	A or B Gobo outside diameter= 86 mm / 3.38 in Max image diameter= 64.5 mm / 2.53 in
Electrical	
● Voltage Input	80-264 V, 50/60 Hz, auto-sensing
● Power Consumption	285 W Maximum - 1.26 A at 230 V, 2.53 A at 115 V - cosφ 0.98
● Power Connection	Integral cable Bare Ends
● Data Connection	In/Out IP65 DMX Signal Junction Connector (Cod Art. RCN 73)
Thermal	
● Ambient Operating Temperature	-40° - +40°C (-40° - + 104° F)
● Fan (controllable)	Yes, 2 different settings: Silent and Auto
Control	
● Protocols	DMX-512, RDM (Remote Device Management), Wireless (optional by LumenRadio)
● RDM configuration	Yes
● DMX Channels	8 / 4
● Display	Graphic OLED
● Firmware upgrade	Through DMX with RDM Upgrade USB interface (code AC10011A001)
Physical	
● Mounting	Yoke
● Materials	Die-cast aluminum (Anti-Salt treatment)
● EPA	Projector front area: 41599.2 sq.mm (0.4476 sq.ft), projector side area: 192211 sq.mm (2.0689 sq.ft)
● IP Rating	IP65 (weatherproof)
● Color options	Black (standard), custom color on request (optional)
Optics	
BC10029A002	Profile Zoom 10°-25°
BC10029A000	Profile Zoom 14°-35°
BC10029A004	Profile Zoom 30°-60°
BC10029A005	Lens Tube Profile 80°
General accessories	
BC10028A000	Four blade framing system (this accessory can be installed as an alternative to the dual gobo rotator)
BC10029A003	Frame Holder
BC10029A100	LEDko EXT wireless kit
BC10028A001	Metal key for gobo mounting (included)
RME34/G	DMX end of line closure cap (indispensable for the last projector of the line)

8 Channels

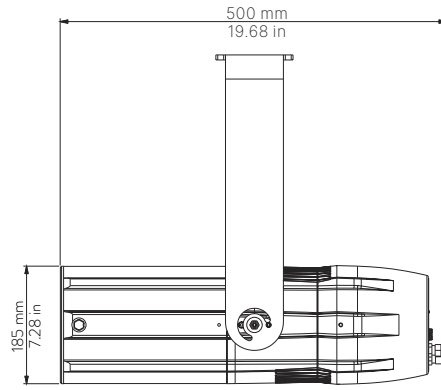
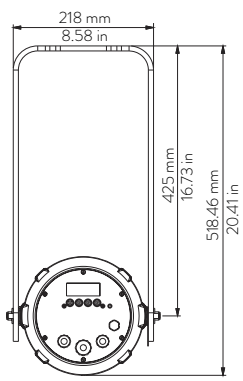
- 01 → Master Dimmer
- 02 → Spare Channel
- 03 → Dimmer Fine
- 04 → Strobe
- 05 → Special Functions
- 06 → Master Gobo Rotator
- 07 → Gobo 1 Speed
- 08 → Gobo 2 Speed

4 Channels

- 01 → Master Dimmer
- 02 → Master Gobo Rotator
- 03 → Gobo 1 Speed
- 04 → Gobo 2 Speed

Drawing Size

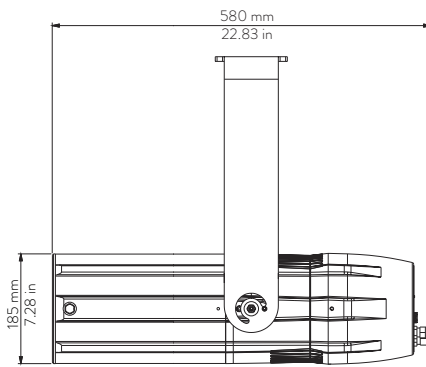
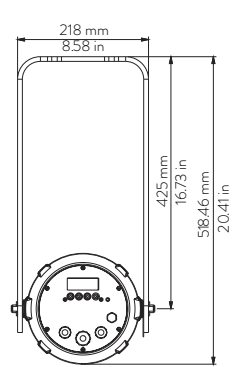
LEDko EXT 80° Optic



Length	Width	Height	Weight
500 mm	252.6 mm	185 mm	15.1 Kg
19.68 in	9.94 in	7.28 in	33.28 lbs

With
bracket:
518.46 mm
20.41 in

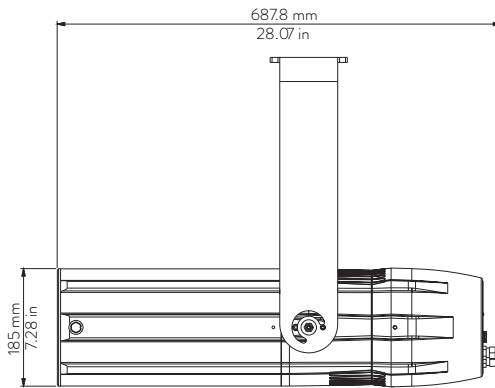
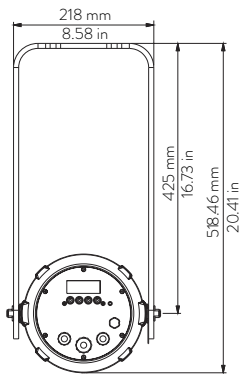
LEDko EXT 30°-60° Zoom



Length	Width	Height	Weight
580 mm	252.6 mm	185 mm	15.6 Kg
22.83 in	9.94 in	7.28 in	34.39 lbs

With
bracket:
518.46 mm
20.41 in

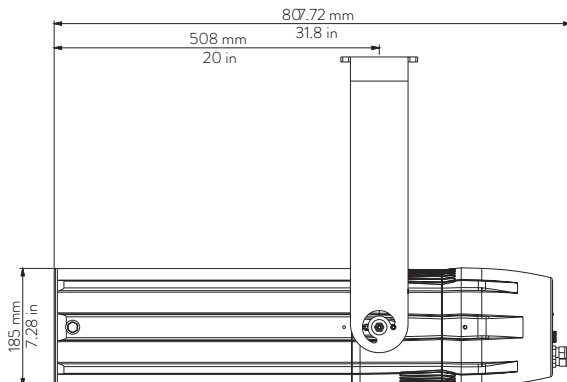
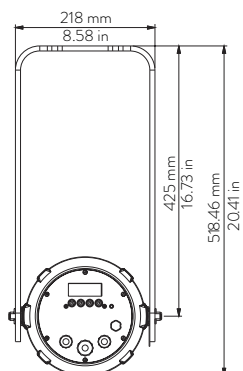
LEDko EXT 14°-35° Zoom



Length	Width	Height	Weight
687.8 mm	252.6 mm	185 mm	16.9 Kg
27.07 in	9.94 in	7.28 in	37.25 lbs

With
bracket:
518.46 mm
20.41 in

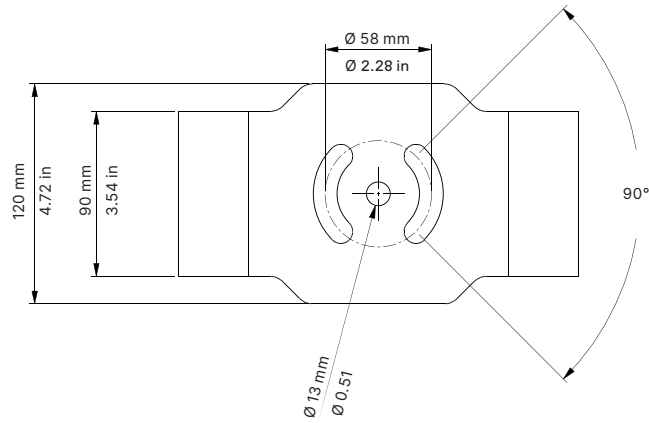
LEDko EXT 10°-25° Zoom



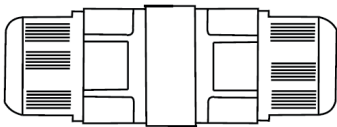
Length	Width	Height	Weight
807.7 mm	252.6 mm	185 mm	18 Kg
31.8 in	9.94 in	7.28 in	39.68 lbs

With
bracket:
518.46 mm
20.41 in

Mounting yoke attachment point



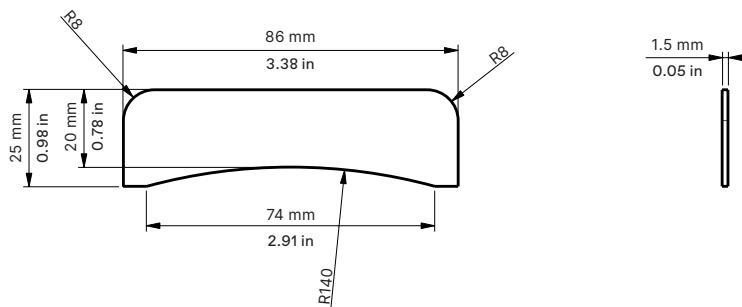
DMX Signal Junction Connector



Specification

DMX 512 STANDARD:
 Pin 1 = Ground Wire
 Pin 2 = Negative (Black)
 Pin 3 = Positive (White)

Metal key for gobo mounting (BC10028A001)



● Coemar Lighting S.r.l.

Via Carpenedolo, 90
46043, Castiglione delle Stiviere (MN) – Italy

P. +39 0376 1514412

M1. info@coemar.com

M2. service@coemar.com

W. coemar.com

P.iva – C.f. 02415330204

