



ReLite LED HD T/D

Product code:
F041A040A (T)
F041B040A (D)

Last update:
19/04/2023



G38 adaptor

ReLite LED HD with G22 pin connectors

Introducing

● If you want to switch your **TV studio or theatre from halogen to LED**, the ReLite Series is the perfect retrofit solution for you. Easy and quick upgrade, excellent white light quality, huge power savings with almost no heat generation and long life LED lamps are just some of the advantages offered by our ReLite Series.

The **internal microprocessor** and **HD electronics** mark the difference between the standard ReLite and the new ReLite HD, designed to retrofit 1 K and 2 K traditional incandescent fixtures. The advanced intelligence of this device comes from the interconnection between these new technologies and the **internal thermal sensor**, who detects and controls the temperature inside the fixture while operating and constantly stabilizes the LED's luminous flux. In this way even if the temperature inside the fixture raises and lowers due to a change in the dimming mode, the new ReLite HD saves the initial temperature and maintains it. This guarantees a **more stable light output** compared to the first ReLite version (with a **max power consumption of 160 W**).

The ReLite Led HD features also 2 DIP switches: the first one allows the **adjustment of the fan speed** (100% or 75% of the maximum fan speed for quiet environments) and the second one the **reset of the temperature** in case a user needs to use the same ReLite HD in different fixtures.

Linear and smooth **dimming from 1% to 100%** (stability of the light output guaranteed starting from 10/15% of the dimmer channel, depending on the installation conditions) plus **flicker-free performance** make it the ideal retrofit solution for broadcast and theatre lighting. The possibility to choose between **different dimming curve options** and the **easy firmware upgrade** complete this product. Available in two different versions – **Tungsten and Daylight** – with an average **CRI of 97**, for a faithful and realistic color rendering.

Key Features



- LED retrofit lamp
- Tungsten or Daylight COB LED



- CRI > 90 or 97



- CCT 3.200 K or 5.600 K



- Linear dimming from 1% to 100%
- Full-range dimming on your existing AC dimmers



- Fan setting with 2 different options (Low and Auto)



- Thermal protection



- Guaranteed flicker free



- Available Pin Connectors: G22 - GX9.5 - GY16 - G38



- European Conformity certification

General

● LED Source	Tungsten or Daylight COB LED
● CCT Range	● ● ● ● ● Fixed white 3.200 K or 5.600 K
● Color Rendition Average	CRI> 97 or 90
● Electronics	Internal microprocessor and HD electronics
● Dimming	Dimmable from traditional existing TRIAC AC or IGBT dimmers Linear dimming from 1% to 100%: the stability of the fixture is guaranteed starting from 10/15 % of the dimmer channel (depending on the installation conditions)
● Camera flicker free	Yes
● L80 Rating (hours to 80% output)	50.000 Hours
● Compatibility	Fast retrofitting on products like Arri, De Sisti, ADB and more

Electrical

● Voltage Input	100-240 V, 50/60 Hz, auto-sensing
● Power Consumption	160 W Maximum - 0.8 A at 230 V, 1.7 A at 110 V, Cosφ > 0.9
● Dip-switches	Two dip-switches mounted on board: one allows the reset of the fixture and the other the reduction of the fan speed

Thermal

● Thermal Protection	Yes, control sensor for LED temperature
● Ambient Operating Temperature	0°C - +40°C (32°F - 104°F)
● Cooling	Fan setting with 2 different options: low and auto (it can be changed manually via a switch on board)
● Maximum Fan Noise	28 dbA

Physical

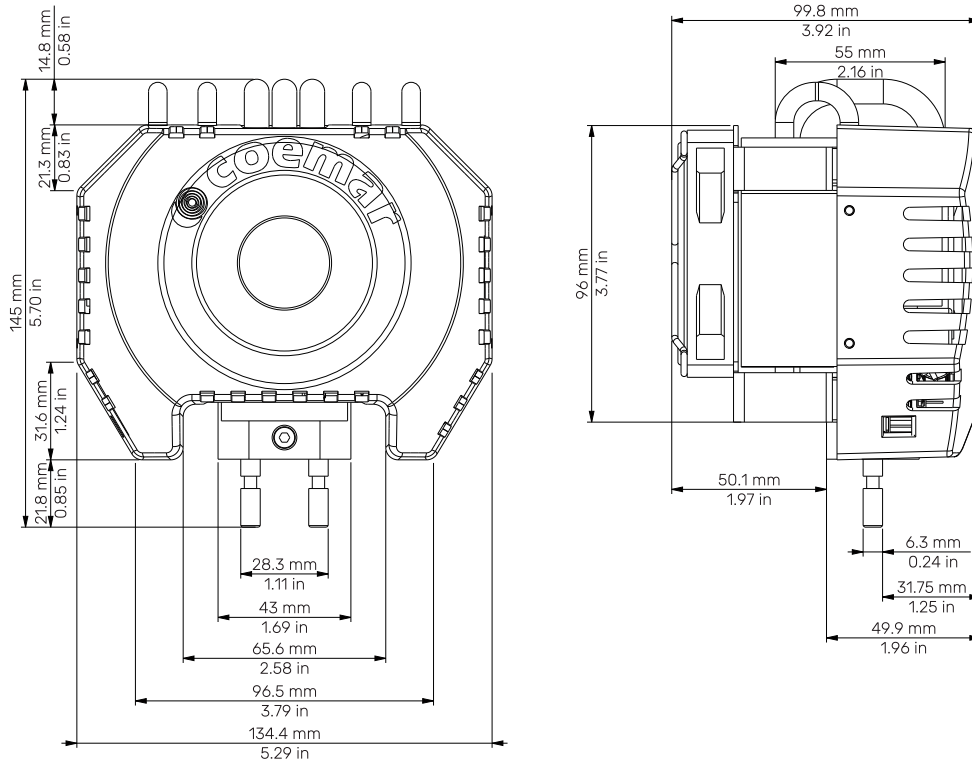
● Pin Connectors	G22 - GX9.5 - GY16
● Materials	Copper, aluminium and technopolymers
● Weight	0.8 kg / 1.7 lbs
● Length	99.8 mm / 3.92 in
● Height	123.2 mm/ 4.85 in - With connectors: 145 mm/5.70 in
● Width	134.4 mm / 5.29 in
● IP Rating	IP20
● Color option	Black (standard)

Accessories

GKIT806	G38 adaptor
---------	-------------



ReLite LED HD with G22 pin connectors



Ordering informations

Product	Code
ReLite HD T Studio with G22	F041A040A
ReLite HD T Studio with GX9.5	F041A050A
ReLite HD T Studio with GY16	F041A080A
ReLite HD D Studio with G22	F041B040A
ReLite HD D Studio with GX9.5	F041B050A
ReLite HD T with G22	F041C040A
ReLite HD T with GX9.5	F041C050A
ReLite HD T with GY16	F41C080A
ReLite HD D with G22	F041D040A
ReLite HD D with GX9.5	F041D050A
ReLite HD D with GY16	F041D080A



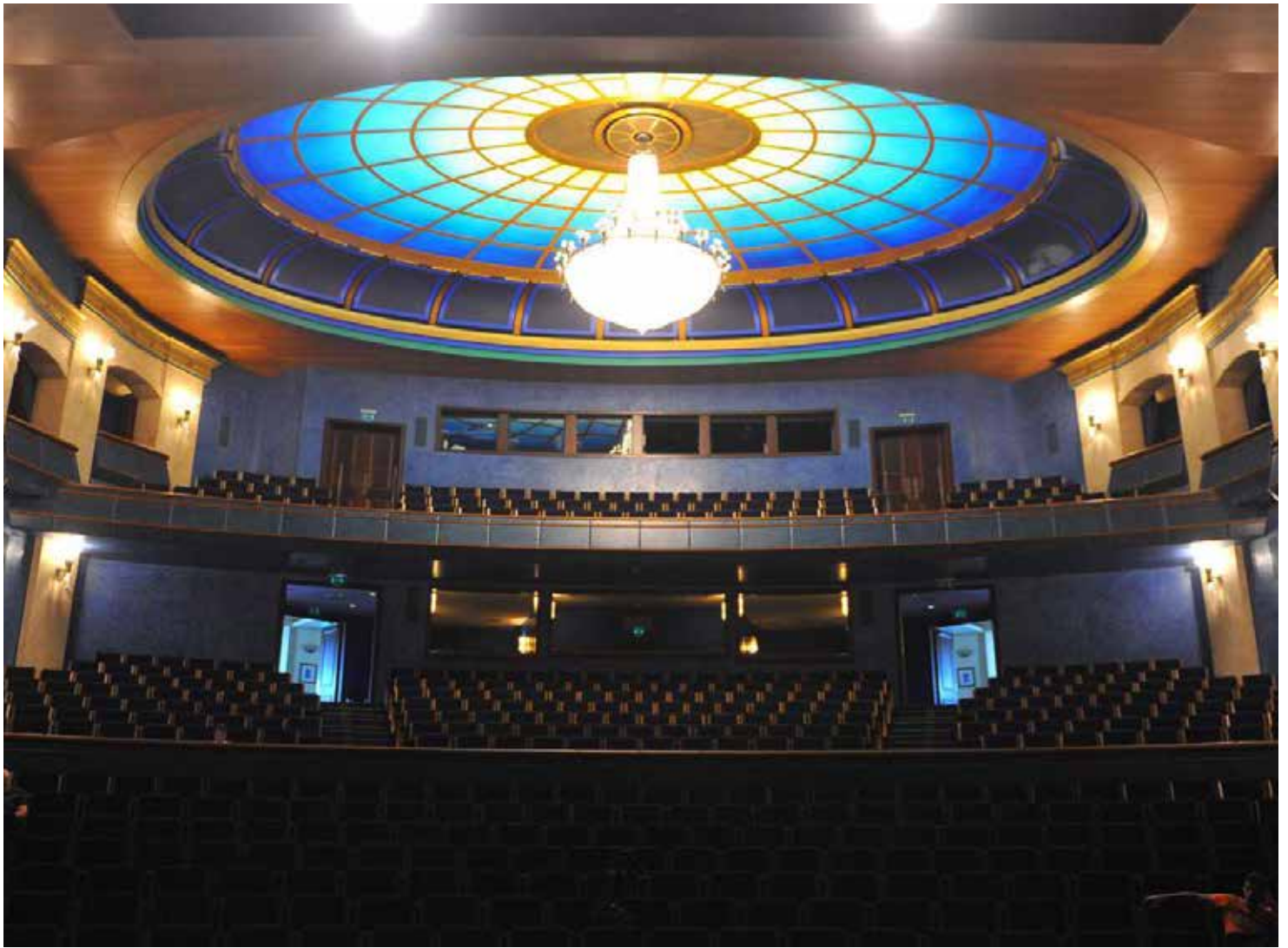
Broadcast - Dunya TV, Pakistan

Product	ReLite HD T
CCT	3.200 K
CRI	>97



Theatre - Teatro Comunale of Bologna, Italy

Product	Relite LED HD T
CCT	3.200 K
CRI	>97



Theatre - Budapest National Theatre, Hungary

Product	ReLite HD T
CCT	3.200 K
CRI	>97
Dealer	Pelyhe Kft.



Broadcast - Mediaset España, Spain

Product	Relite LED HD T
CCT	3.200 K
CRI	>97
Dealer	Video Cine Import S.A.

● Coemar Lighting S.r.l.

Via Carpenedolo, 90
46043, Castiglione delle Stiviere (MN) – Italy

P. +39 0376 1514412
M1. info@coemar.com
M2. service@coemar.com
W. coemar.com

P.iva – C.f. 02415330204

