

LEDko EXT Basic T

Product code:
F124E001A (CRI 80)
F124C001A (CRI 90)

Last update:
13/11/2023



LEDko EXT Basic T

Introducing

● The LEDko EXT Basic has been specifically developed for applications in which there is no need for an accurate DMX control of the fixture. The LEDko EXT Basic engine is the same as of the EXT version (i.e. fixed tungsten or daylight only) and can be used on a on/off basis only (no DMX control). The LEDko EXT Basic includes a Four blade framing system with gobo holder and zoom lens system ranging from 14° to 35°, 10° to 25° or from 30° to 60° and optic 80°.

Key Features



- LED Profile Spot IP65 for permanent Outdoor installation
- Tungsten COB LED



- CRI > 80 or CRI > 90



- Fixed white CCT: 3.200 K



- Profile zoom from 14° to 35°, 10° to 25°, 30° to 60° and optic 80°



- Four blade framing system, each shutter blade is adjustable for radial position and angle



- Internal gobo holder



- Die-cast aluminium (Anti-Salt treatment)



- Custom color on request (optional)

General	
● LED Source	Tungsten COB LED
● CCT Range	●●●●● Fixed white 3.200 K
● Color Rendition Average	CRI> 80 or CRI> 90
● Available Optics	Profile zoom from 14° to 35°, 10° to 25°, 30° to 60° and optic 80°
● Camera flicker free	Yes
● Calibrated Cob	Yes
● L80 Rating (hours to 80% output)	50.000 Hours
● Pattern projection	Yes
● Pattern size	A or B Gobo outside diameter= 86 mm / 3.38 in Max image diameter= 64.5 mm / 2.53 in

Electrical	
● Voltage Input	90-305 V, 50/60 Hz, auto-sensing
● Power Consumption	140 W Maximum - 0.6 A at 230 V, 1.27 A at 115 V - cosφ 0.96
● Power Connection	1.5 m power cable bare ends

Thermal	
● Ambient Operating Temperature	-40°C - +40°C (-40°F - 104°F)
● Fan	Yes

Control	
● Control	On/Off

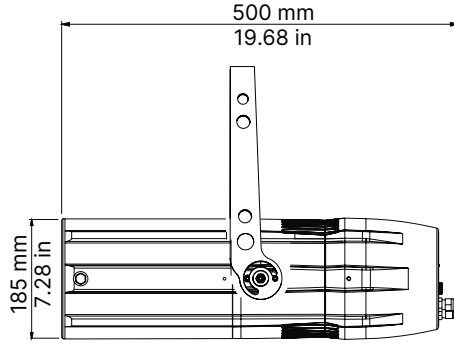
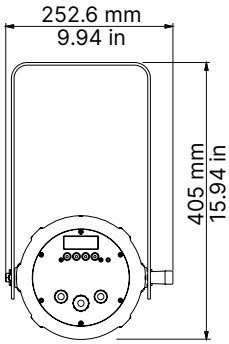
Physical	
● Mounting options	Yoke
● Materials	Die-cast aluminium (Anti-Salt treatment)
● Framing System	Four blade framing system, each shutter blade is adjustable for radial position and angle
● EPA	Projector front area: 32239.2 sq.mm (0.3470 sq.ft), projector side area: 160176 sq.mm (1.72404 sq.ft)
● IP Rating	IP65
● Color Options	Black (standard), custom color on request (optional)

Optics	
BC10029A002	Profile Zoom 10°-25°
BC10029A000	Profile Zoom 14°-35°
BC10029A004	Profile Zoom 30°-60°
BC10029A005	Lens Tube Profile 80°

General accessories	
BC100028A000	Removable four blade framing system with gobo holder (included)
BC10029A003	Frame Holder

Drawing Size

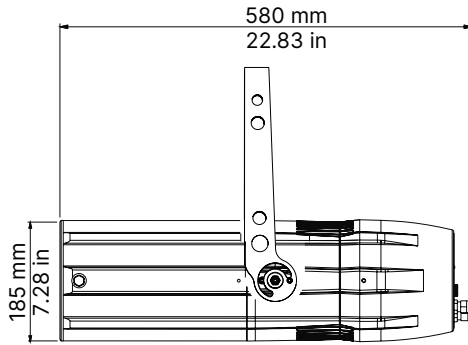
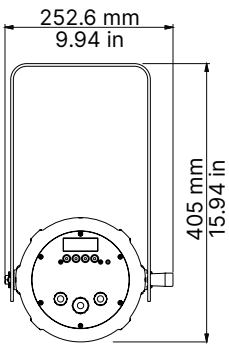
LEDko EXT 80° Optic



Length	Width	Height	Weight
500 mm 19.68 in	252.6 mm 9.94 in	185 mm 7.28 in	12.1 Kg 26.6lbs

With
bracket:
405 mm
15.94 in

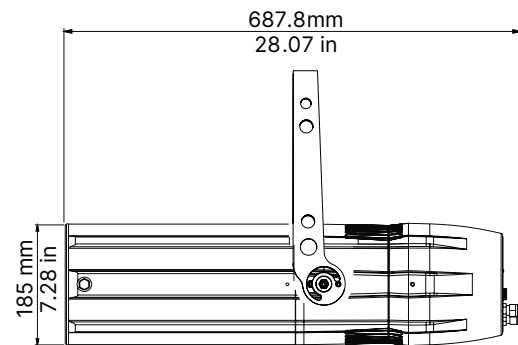
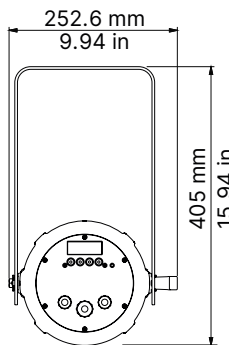
LEDko EXT 30°-60° Zoom



Length	Width	Height	Weight
580 mm 22.83 in	252.6 mm 9.94 in	185 mm 7.28 in	12.6 Kg 27.7 lbs

With
bracket:
405 mm
15.94 in

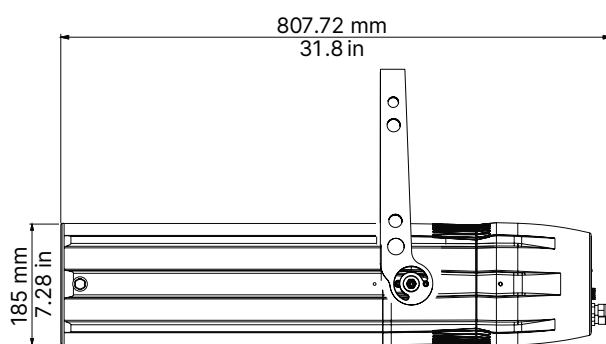
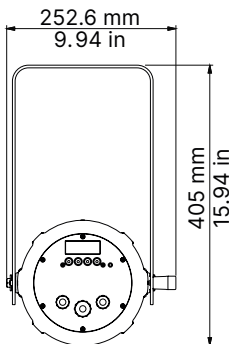
LEDko EXT 14°-35° Zoom



Length	Width	Height	Weight
687.8 mm 27.07 in	252.6 mm 9.94 in	185 mm 7.28 in	14 Kg 30.8 lbs

With
bracket:
405 mm
15.94 in

LEDko EXT 10°-25° Zoom



Length	Width	Height	Weight
807.2 mm 31.8 in	252.6 mm 9.94 in	185 mm 7.28 in	15 Kg 33.1 lbs

With
bracket:
405 mm
15.94 in

● Coemar Lighting S.r.l.

Via Carpenedolo, 90
46043, Castiglione delle Stiviere (MN) – Italy

P. +39 0376 1514412

M1. info@coemar.com

M2. service@coemar.com

W. coemar.com

P.iva – C.f. 02415330204

