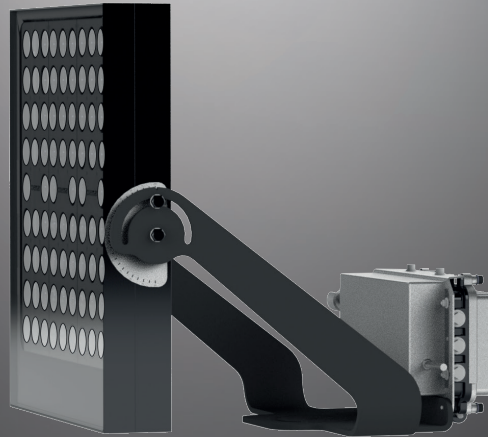


Panorama ACL

DAYLIGHT



General

LED Source	78 Daylight Leds
CCT Range	5.700K
Lumen	24322
Lens	3° lenses
Dimming	0% to 100%
IP rating	IP65

Thermal

Cooling	Noiseless, fan-free convection cooling for acoustically sensitive installations
Ambient Operating Temperature	from - 25° C / -13° F to + 40° C / +104° F
Active Electronic Thermal	Active electronic thermal management
Over Temperature Protection	Decreases output current, returning to normal after over temperature is removed

Electrical

Voltage Input	100-277V, 50-60 Hz - Auto-sensing
Power Consumption	384W @ Full
Power Connection	0.6 m (23,6 In) cable tail without connector
Data Connection	n°2 x 0.95 m (37,4 In) In/Out cables tail without connector and IP68 cable gland
Average LED Lifetime	LM80 - A minimum of 80% of the initial luminous flux after approx. 50.000 usage hours
Over Voltage Protection	Limits output voltage at no load and in case the normal voltage limit fails.
Short Circuit Protection	Auto Recovery. No damage will occur when any output is short circuited. The output shall return to normal when the fault condition is removed.

Control Options

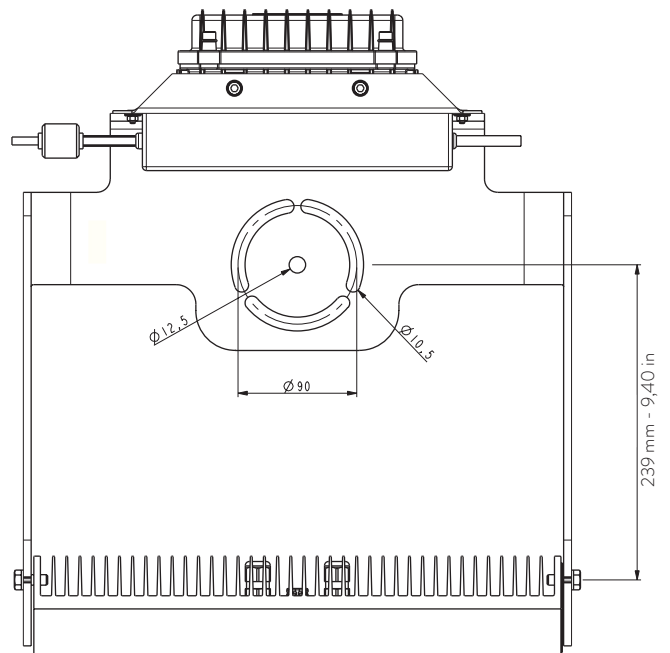
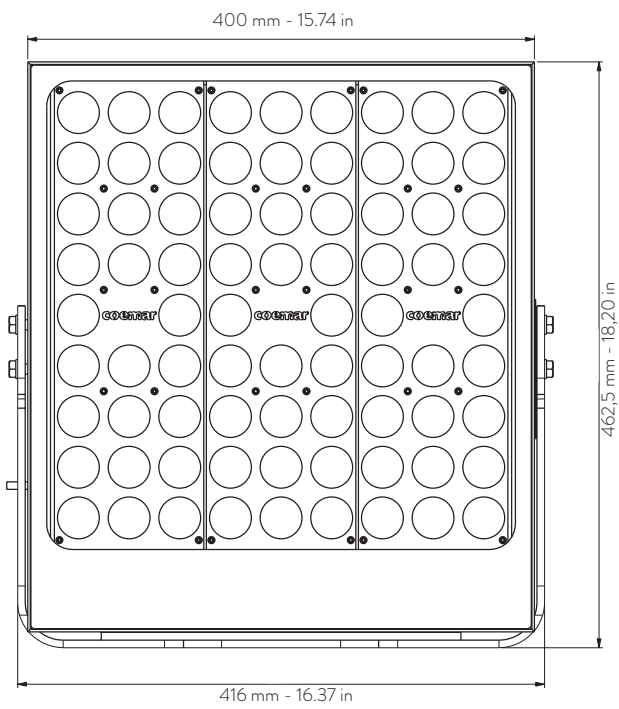
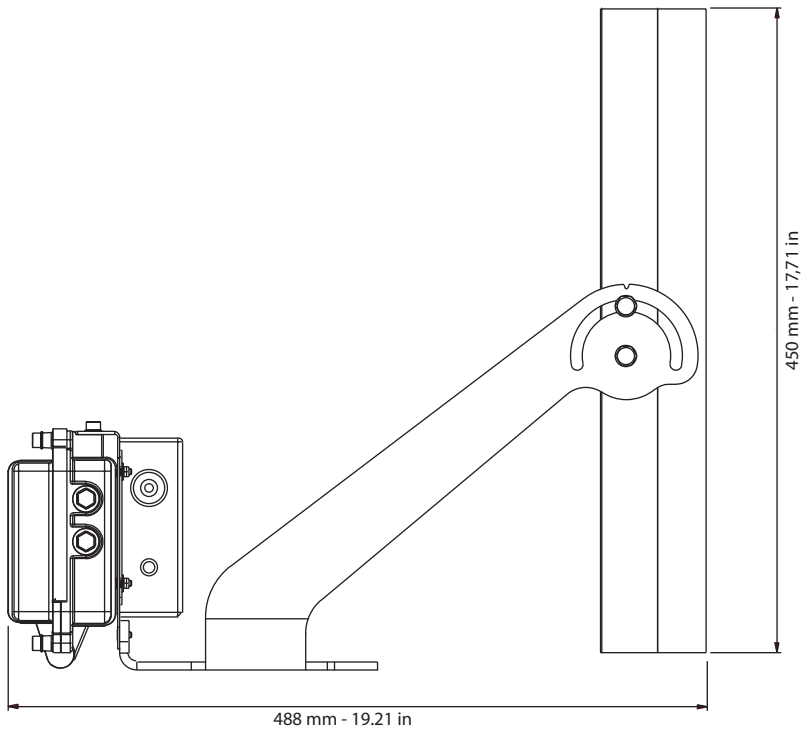
Protocol	USITT DMX512A
DMX Channels	1 channels
RDM	Remote Device management
Software Interface	DMX Setup, Fixture Status, via RDM

Physical

Weight	10 Kg / 22.04 lbs
Length	488mm / 19.21 in
Height	450 mm / 17.71 in
Width	416 mm / 16.37 in
Housing	Die-casting aluminum

DRAWING SIZE

Panorama ACL Daylight



Panorama ACL

PHOTOMETRICAL DATA

1/2 peak angle 3.5°

Distance (m)	10	20	30	40	50	60	70	80	90	100
Luminous Emittance (lux)	28927	7232	3214	1808	1157	804	590	452	357	289
Diameter Ø (m)	0.61	1.22	1.83	2.44	3.06	3.67	4.28	4.89	5.50	6.11