

SunLite LED VariWhite

Last update:
03/03/2023



SunLite LED VariWhite

Introducing

● **SunLite LED** is the Coemar family of products specifically developed and designed around the specifications of Miral & SeaWorld for the, world first entirely indoor, SeaWorld Abu Dhabi and recognises the stringent requirements dictated for ensuring animal welfare. This product is suitable for use as worklight in **theaters**, as **industrial lighting** as well as small/medium **sports fields**.

SunLite LED is a very bright, tunable fixture thanks to its truly high quality LED source, developed to specifically deliver a genuine and realistic sunlike spectrum with extremely high color rendition across the entire CCT range.

Its air convection cooled design allows a **superior cooling** to reduce and dissipate the heat rapidly.

This ensures an excellent performance without prejudice for the lifespan of the LED source. The finishing of the housing is ideal for harsh climate conditions and highly **corrosive ambient** with a high **IP65** as well as an up to **IK10** rating. The SunLite LED may be hung to project downwards or sideways.

Key Features



● VariWhite LEDs - 8 Bridgelux COB Thrive Series



● CRI > 96.8, TLCI 100



● CCT 2.700 K - 6.500 K



● IP65 - IK10



● Interchangeable lenses: Ultra Narrow 12°, Narrow 21°, Medium 25°, Wide 34°, Ultra Wide 54°



● Passive cooling and fan-free



● Custom color on request (optional)



● CE Compliant
● RoHS Directive
● IK10 rating
● Conforms to EN 62722-2-1 (Particular requirements for LED luminaires performance)

General	
● LED Source	VariWhite LEDs - 8 Bridgelux COB Thrive Series
● CCT Range	●●●●● 2.700 K → 6.500 K
● Color Rendition Average	CRI > 96.8, TLCI 100
● Dimming	8 or 16 bit, 5 selectable curves: Exponential, Logarithmic, Linear, Halo and Standard
● Strobe	Synchronized, random or pulse electronic strobe
● Lens	Ultra Narrow 12°, Narrow 21°, Medium 25°, Wide 34°, Ultra Wide 54°
● L80 Rating (hours to 80% output)	50.000 Hours

Electrical	
● Voltage Input	100-277V, 50-60 Hz, auto-sensing - 1.0 A at 230 V, 2.0 A at 115 V
● Power Consumption	225W @ Full
● Power Connection	0.3 m (1,18 in) integral power supply cable with bare ends
● Data Connection	In and Out DMX 5 pin locking XLR connectors

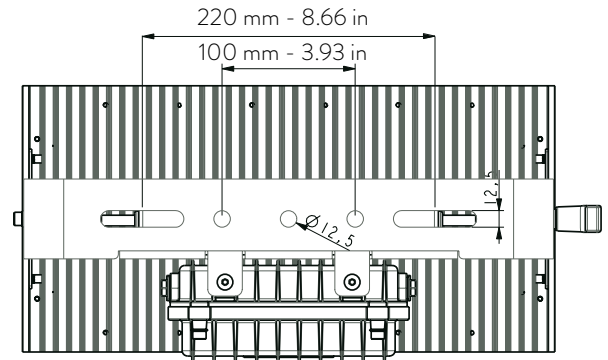
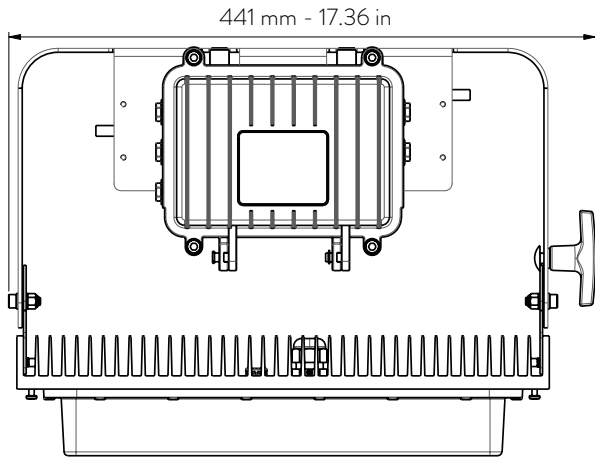
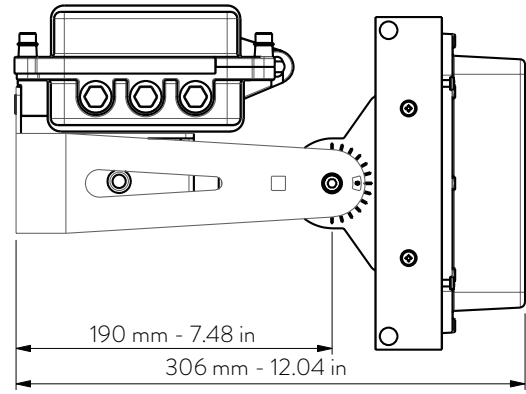
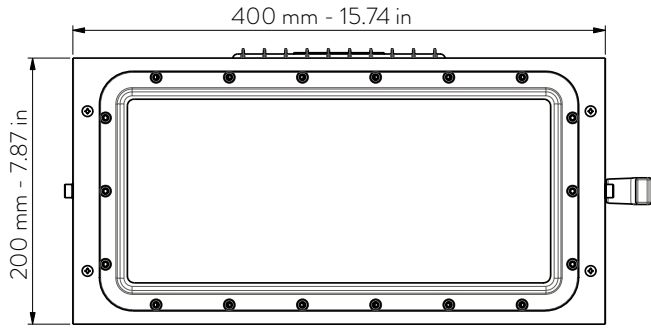
Thermal	
● Ambient Operating Temperature	-40°C - +40°C (-40°F - 104°F)
● Cooling	Passive cooling and fan-free

Control	
● Protocols	DMX-512, RDM (Remote Device Management), Wireless (optional by LumenRadio)
● RDM configuratons	Yes
● DMX Channels	5 / 2 / 1 / Sunrise mode / Raw mode
● Firmware upgrade	Through DMX with RDM Upgrade USB interface (code AC10011A001)

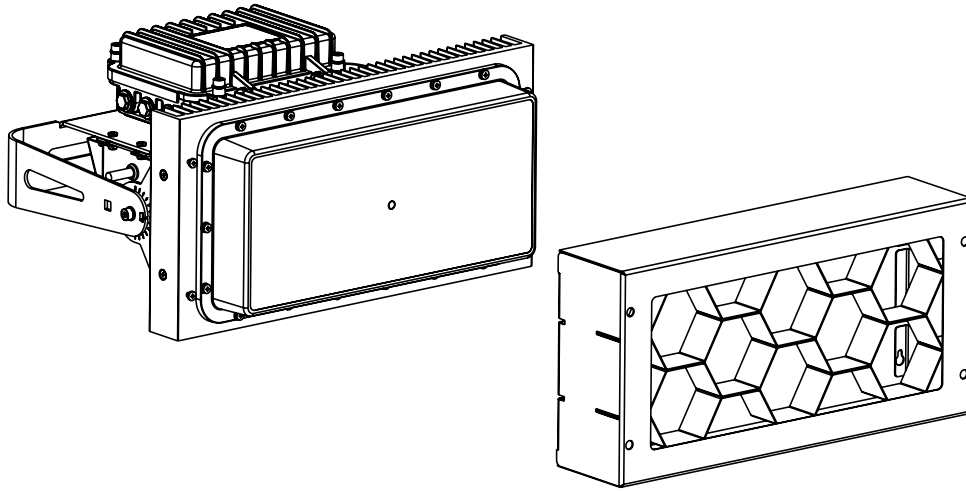
Physical	
● Yoke	Single yoke suitable for safe hanging
● Materials	Heatsink: Extruded hard anodized aluminum, Electronic box: Die-Casting aluminum with Anti-Corrosion treatment for marine ambient and electrostatic powder-coated, Frontal Cover: PC (Polycarbonate)
● Gasket Material	Polyurethane foam
● Hardware Material	Stainless steel AISI304
● Lens Material	PMMA Polymethyl methacrylate
● Weight	10.5 Kg / 23.14 lbs
● Height	116 mm / 4.56 in - With brackets: 306 mm / 12.04 in
● Width	441 mm / 17.36 in
● IP/IK Rating	IP65 - IK10
● Color options	Silver or Black (standard), custom color on request (optional)

General accessories	
RCN72	Power Junction Connector for AC
RCN 73	DMX Signal Junction Connector
RME 34/2	DMX Signal Connector XLR5 Female (OUT)
RME 35/2	DMX Signal Connector XLR5 Male (IN)
RME 641/1	CEE 16A Power AC Plug
O336.045	Louver

SunLite LED VariWhite Version	
F073G001H	Narrow Lenses, Black
F073G001I	Medium Lenses, Black
F073G001L	Wide Lenses, Black
F073G001O	Ultrawide Lenses, Black
F073G101H	Narrow Lenses, Silver
F073G101I	Medium Lenses, Silver
F073G101L	Wide Lenses, Silver
F073G101O	Ultrawide Lenses, Silver



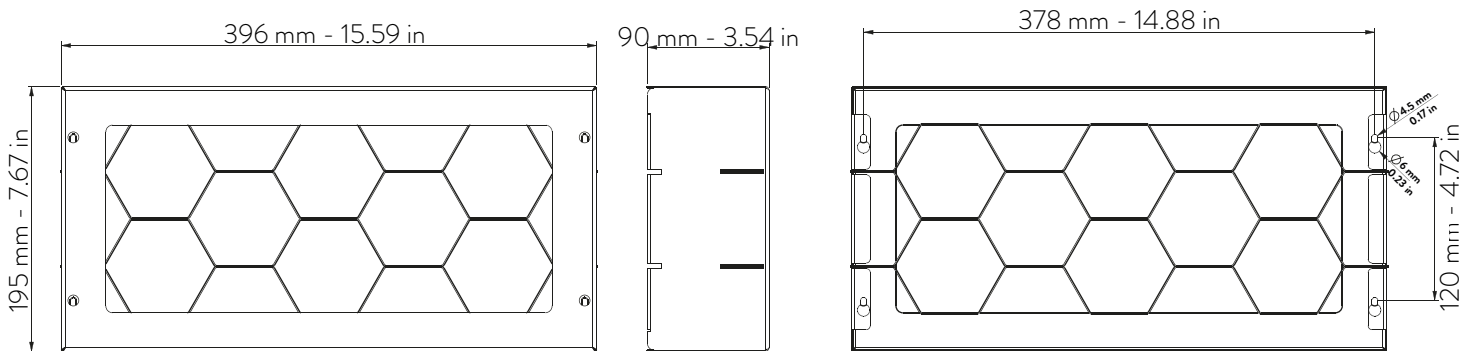
Louver



Physical

● Materials	Stainless steel AISI304 Body
● Length	396 mm / 15.59 in
● Weight	1.6 kg / 3.53 lbs
● Height	195 mm / 7.67 in
● Width	90 mm / 3.54 in
● Color options	Matt Black
● Safety Accessories	Stainless steel AISI304 Safety chain

Drawing Size



5 Channels

- 01 → Master Dimmer
- 02 → Dimmer Fine
- 03 → White Tone
- 04 → Strobe Effect
- 05 → Special Functions

2 Channels

- 01 → Master Dimmer
- 02 → White Tone

1 Channel

- 01 → Master Dimer

Sunrise mode

- 01 → Master Dimmer
- 02 → Dimmer Fine
- 03 → Proportional cct
- 04 → Step cct
- 05 → Special Functions

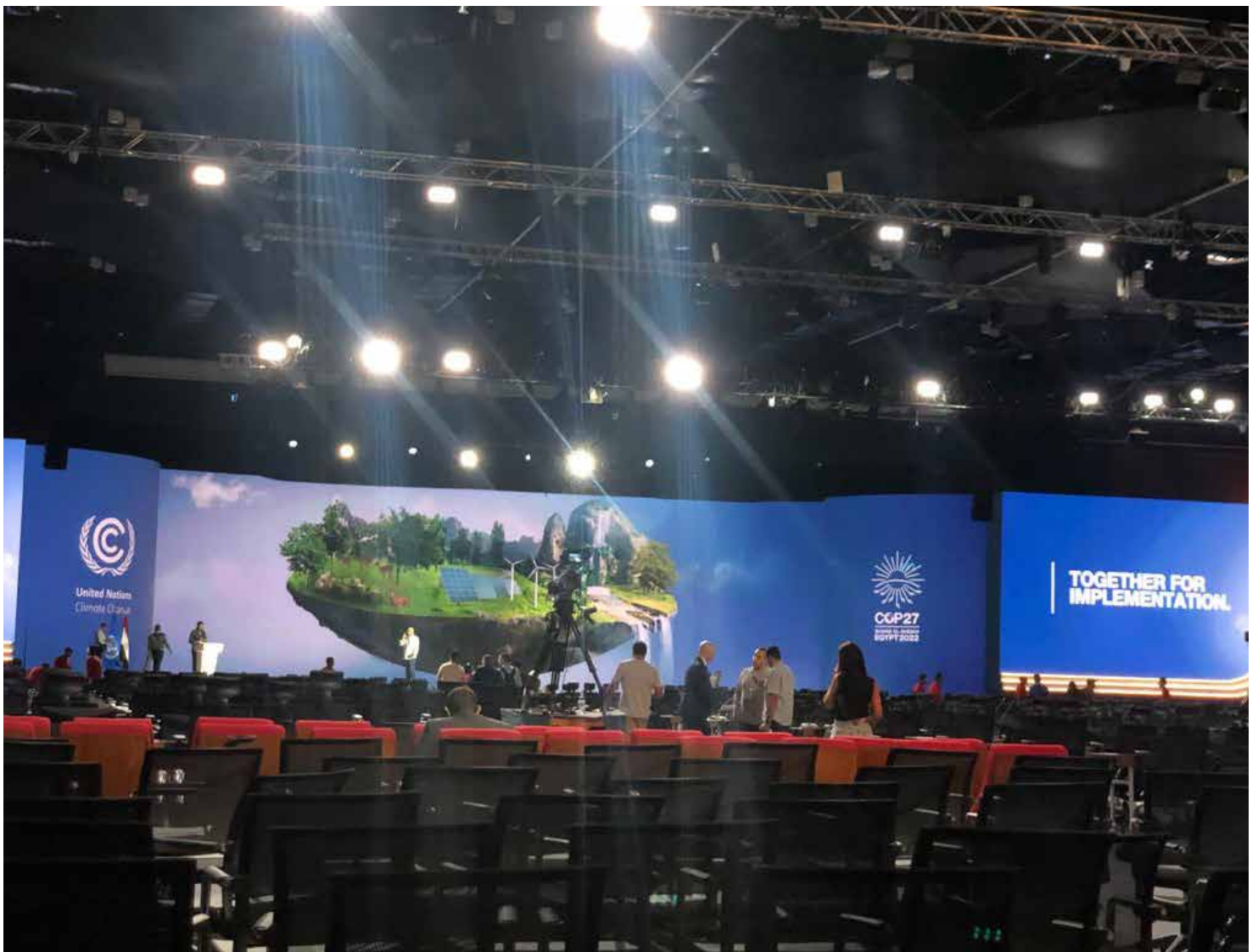
Raw mode

- 01 → Warm White LED
- 02 → Warm White LED Fine
- 03 → Cold White LED
- 04 → Cold White LED Fine



Theme Park - Sea World, Abu Dhabi, UAE

Product	SunLite LED VW
CCT	2.700 K → 6.500 K
CRI	>96
Installation	ASU/Khabari



Event - CO27, Sharm el-Sheikh

Product	SunLite LED VW
CCT	2.700 K → 6.500 K
CRI	>96

SunLite LED VariWhite

Optic: Ultra Narrow Beam - 1/2 Peak Angle 12°

Distance(m)		3	6	9	12	15	18	21	24	27	30
lux	FULL	24.182	6.046	2.687	1.511	967	672	494	678	299	242
1/2 P.A. 12° Ø (m)		0,63	1,26	1,89	2,52	3,15	3,78	4,41	5,05	5,68	6,31

Optic: Narrow Beam - 1/2 Peak Angle 21°

Distance(m)		3	6	9	12	15	18	21	24	27	30
lux	2.700K	3.198	800	355	200	128	89	65	50	39	32
	6.500K	11.440	2.860	1.271	715	458	318	233	233	141	114
	FULL	14.355	3.589	1.595	897	574	399	293	293	177	144
1/2 P.A. 12° Ø (m)		1,11	2,22	3,34	3,45	5,56	6,67	7,78	8,90	10,01	11,12

Optic: Medium Beam - 1/2 Peak Angle 25°

Distance(m)		3	6	9	12	15	18	21	24	27	30
lux	2.700K	2.035	509	226	127	81	57	42	32	25	20
	6.500K	7.364	1.841	818	460	295	205	150	115	91	74
	FULL	9.283	2.321	1.031	580	371	258	189	145	115	93
1/2 P.A. 12° Ø (m)		1,33	2,66	3,99	5,32	6,65	7,98	9,31	10,64	11,97	13,30

Optic: Wide Beam - 1/2 Peak Angle 34°

Distance(m)		3	6	9	12	15	18	21	24	27	30
lux	2.700K	1.258	315	140	79	50	35	26	20	16	13
	6.500K	4.692	1.173	521	293	188	150	96	73	58	47
	FULL	5.858	1.465	651	366	234	163	120	92	72	59
1/2 P.A. 12° Ø (m)		1,83	3,67	5,50	7,34	9,17	11,01	12,84	14,68	16,51	18,34

Optic: Ultra Wide Beam - 1/2 Peak Angle 54°

Distance(m)		3	6	9	12	15	18	21	24	27	30
lux	2.700K	512	128	57	32	20	14	10	8	6	5
	6.500K	1.887	472	210	118	75	52	39	29	23	19
	FULL	2.393	598	266	150	96	66	49	37	30	24
1/2 P.A. 12° Ø (m)		3,06	6,11	9,17	12,23	15,29	18,34	21,40	24,46	27,51	30,57

● Coemar Lighting S.r.l.

Via Carpenedolo, 90
46043, Castiglione delle Stiviere (MN) – Italy

P. +39 0376 1514412
M1. info@coemar.com
M2. service@coemar.com
W. coemar.com

P.iva – C.f. 02415330204

