

# Otello 8 T/D +

Last update:  
21/11/2023



Otello 8 T/D + with 8 leaf barndoor

#### Introducing

● Developed to offer the best solution in the stage lighting field focussing on theatre and TV studios applications, Otello Led Fresnel incorporates all traditional characteristics of a Fresnel light such as the distinctive soft-edged and very wide beam and the smooth and homogeneous light field.

The + electronic with an advanced LED controller guarantees a smooth dimming and and it offers and higher luminous efficiency. Next to the traditional manual or P.O. option, Otello offers an optional motorized zoom, which together with a modern design and Oled display with on-board selector for quick setting represents the state of the art in terms of LED Fresnel range. The family consists of 2 fixtures with lenses of 150 mm (5,9 inch) and 200 mm (7,87 inch). All variants include COB led calibrated, Tungsten and Daylight, respectively at 3.200 K and 5.600 K CCT.

#### Key Features

- Tungsten or Daylight COB LED
- High CRI > 95
- CCT Fixed White 3.200 K or 5.600 K
- Fresnel lens (diameter 200 mm / 7.87 in)
- Manual zoom range from 14° to 48° (PO zoom available) half peak angle
- Extruded aluminum, flame-retardant technopolymer reinforced with fiberglass
- Custom color on request (optional)
- Manual (standard) or Pole Operated Pan-Tilt (optional)
- Wattage typical : 310 W at 230 V
- European Conformity certification

## General

● LED Source	Tungsten or Daylight COB LED
● CCT Range	● ● ● ● ● Fixed White 3.200 K or 5.600 K
● Color Rendition Average	CRI> 95, TLCI> 97
● Dimming	8 or 16 bit, 5 selectable curves: Exponential, Logarithmic, Linear, Halo and Standard
● Dimming Smooth Selection	Fast, Slow and Very Slow
● Strobe	Electronic strobe, synchronized, random, pulse effect
● Lens	Glass Fresnel lens (diameter: 200 mm / 7.87 in)
● Optical	Zoom range from 14° to 48° half peak angle (motorized, manual or PO zoom available)
● Camera flicker control/Hz range	Flicker-free operation with LEDs frequency controlled via DMX from 600 to 20.000 Hz
● Calibrated Cob	Yes
● L80 Rating (hours to 80% output)	50.000 Hours

## Electrical

● Voltage Input	85-264 V, 50/60 Hz, auto-sensing
● Power Consumption	310 W Maximum - 1.42 A at 230 V, 2.84 A at 115 V - $\cos\phi$ 0.95
● Power Connection	In and Out PowerCON TRUE1 Top connectors
● Data Connection	In and Out DMX 5 pin locking XLR connectors

## Thermal

● Ambient Operating Temperature	0°C - +40°C (32°F - 104°F)
● Fan (controllable)	Yes, 4 different settings: Silent, Studio, Auto, DMX Regulated

## Control

● Protocols	DMX-512, RDM (Remote Device Management), Wireless (optional By LumenRadio)
● RDM configuration	Yes
● DMX Channels	5 / 1
● Display	Graphic OLED with on-board selector for quick setting
● Firmware upgrade	Through DMX with RDM Upgrade USB interface (code AC10011A001)

## Physical

● Yoke	Manual (standard) or Pole Operated Pan-Tilt (optional)
● Materials	Extruded aluminum, flame-retardant technopolymer reinforced with fiberglass
● Weight	13.5 Kg / 29.76 lbs
● Length	489 mm / 19.25 in
● Height	314 mm / 12.36 in
● Width	313 mm / 12.32 in
● IP Rating	IP20
● Color options	Black (standard), custom color on request (optional)

## Included accessories

BC10044A002	8-Leaf Barndoor
GKIT17 (USA) / GKIT16 (EU)	1.5 m power cable with PowerCON TRUE1 Top and bare ends
BC10044A006	Color frame holder



Otello 8 T/D + (manual zoom)  
Rear Panel with the new OLED  
display



Otello 8 T/D + with  
Pole Operated Yoke and Pole Operated  
Zoom

Otello 8 T/D+ PO version / Rear Panel

DMX Charts

---

#### 5 Channels

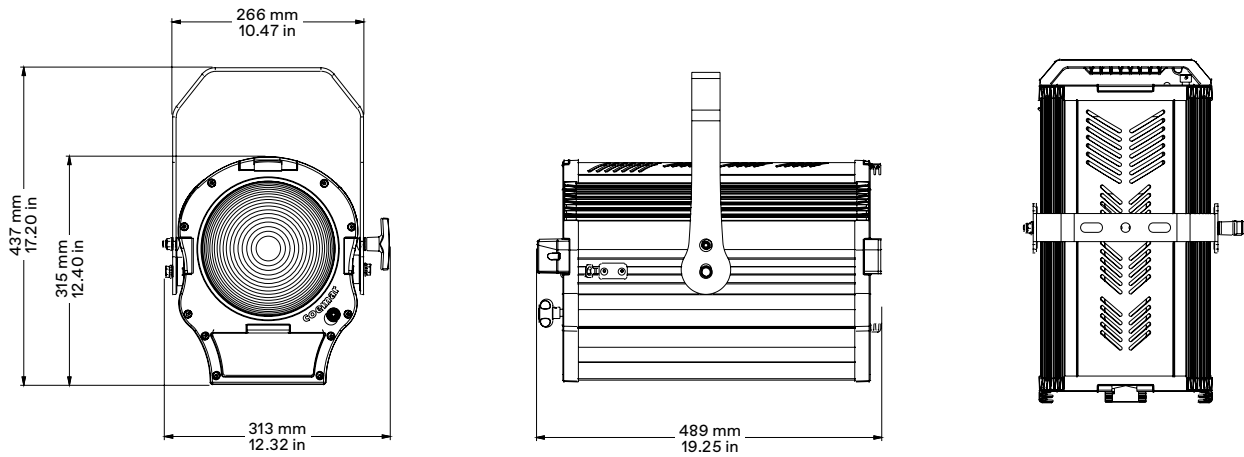
01 → Master Dimmer  
02 → Spare Channel  
03 → Dimmer Fine  
04 → Strobe Effect  
05 → Special Functions

---

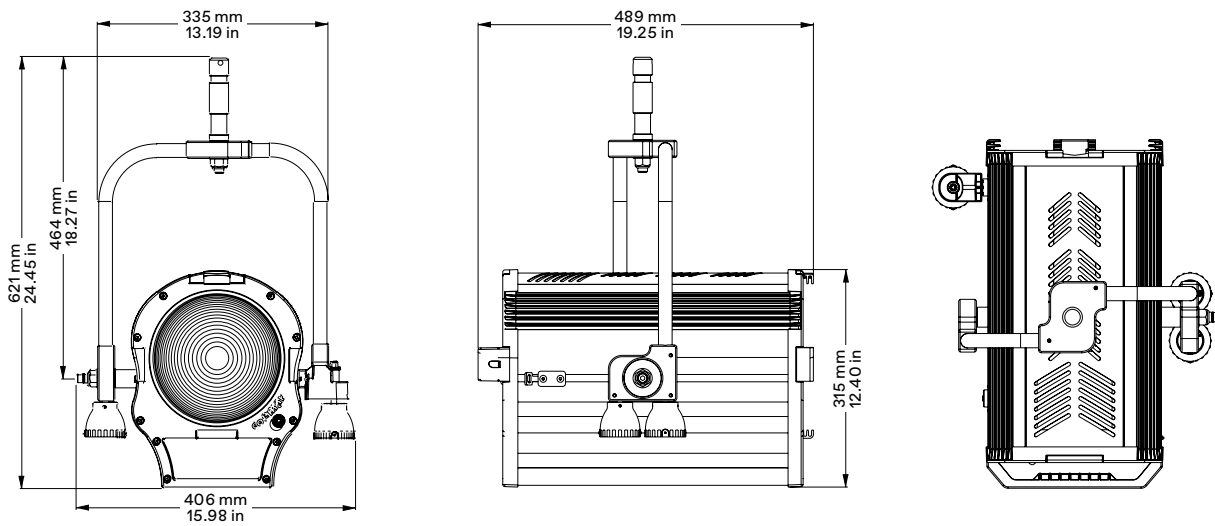
#### 1 Channel

01 → Master Dimmer - Color  
Temperature Settable by Display

Drawing Size - Manual Yoke Version



Drawing Size - Pole operated Yoke Version



Models

Product	Code
Otello 8 T/D + Manual Yoke, Manual Zoom	F150C090P (T version) F150D090P (D version)
Otello 8 T/D + Manual Yoke, Motorized Zoom	F150C000P (T version) F150D000P (D version)
Otello 8 T/D + Pole Operated	F150C010P (T version) F150D010P (D version)

● Coemar Lighting S.r.l.

Via Carpenedolo, 90  
46043, Castiglione delle Stiviere (MN) – Italy

P. +39 0376 1514412

M1. info@coemar.com

M2. service@coemar.com

W. coemar.com

P.iva – C.f. 02415330204

