

# PinSpot IP65 T/D

Last update:  
16/01/2024



PinSpot IP65 T/D

#### Introducing

● Accent light with a very narrow beam, ideal for outdoor use, angle of less than 5 degrees. Perfect to highlight details with a sleek and elegant design and small dimensions. The PinSpot is controllable via DMX through the dedicated RegoBox. Available in two different fixed white versions: Tungsten and Daylight.

#### Key Features



● Tungsten or Daylight LED module



● CRI > 80 or CRI > 90



● CTT 3.200 K or 5.600 K



● IP65



● Concentrated beam angle: 3°



● Thick aluminium enclosure to guaranteed body resistance in the long term



● Oriental yoke



● Custom color on request (optional)



● European Conformity certification

## General

● LED Source	Tungsten or Daylight LED module
● CCT Range	●●●●● Fixed white 3.200 K or 5.600 K
● Color Rendition Average	CRI> 80 or CRI> 90
● Available Optics	3° lenses beam angle
● Electronics Type	Flicker-free Operation
● L80 Rating (hours to 80% output)	50.000 Hours

## Electrical

● DC Power	3 V
● Power Consumption	2 W Maximum - 700 mA at 3 V
● Data Connection	T connection cable In/Out

## Thermal

● Ambient Operating Temperature	-40°C - +40°C (-40°F - 104°F)
● Cooling	Convection cooled, no fans

## Control

● Control Variants	Max 50 PinSpot for 1 RegoBox (10 per line)
● DMX Channels	1

## Physical

● Yoke	Orientable yoke
● Materials	Thick aluminium enclosure to guaranteed body resistance in the long term
● Weight	0.4 Kg / 0.88 lbs
● Length	100 mm / 3.94 in
● Height	75.5 mm / 2.97 in
● Width	Ø 48 mm / 1.89 in
● IP Rating	IP65
● Color options	Silver (standard), custom color on request (optional)

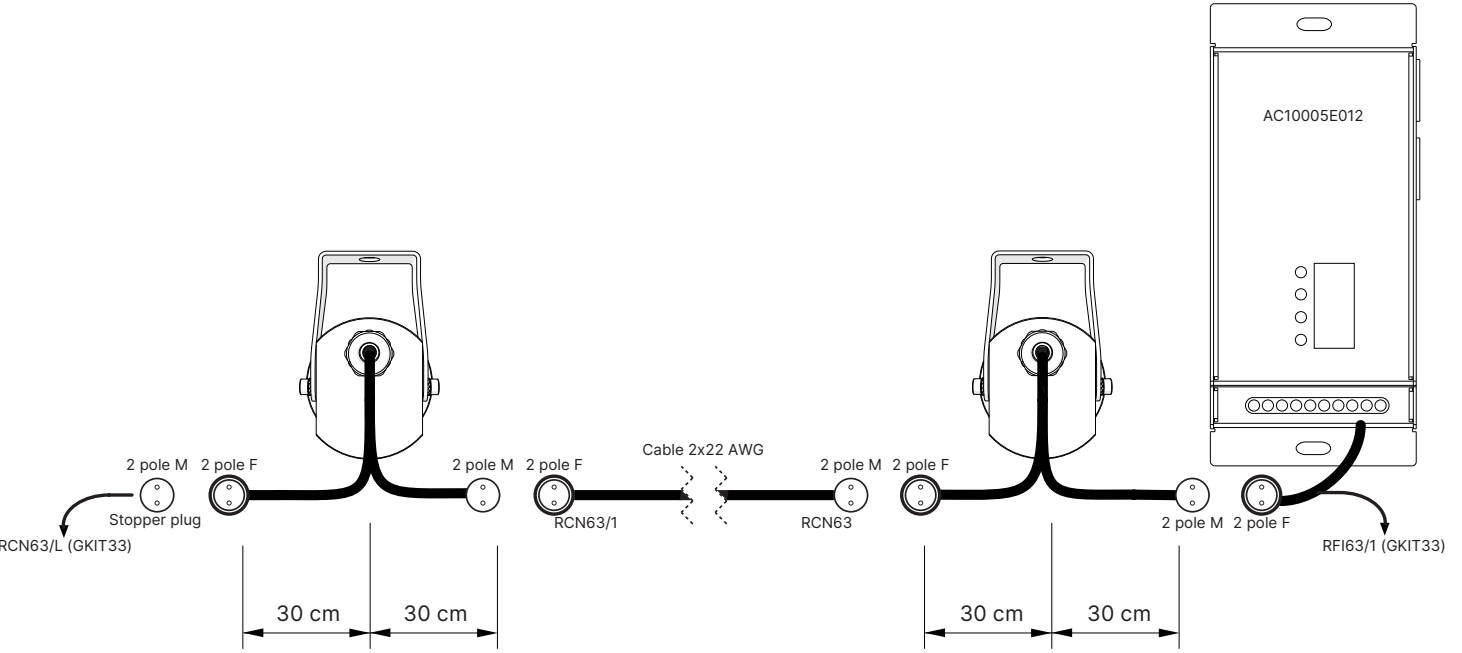
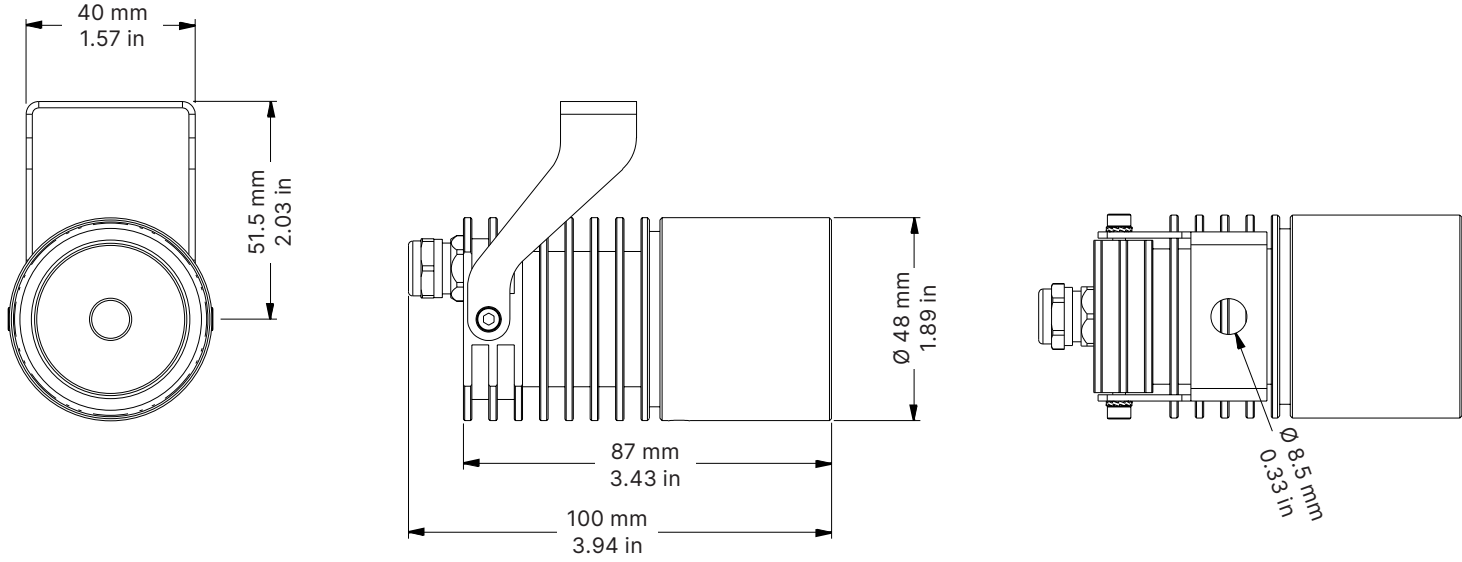
## General accessories

AC10005E012	RegoBox 5CH DMX512 12-24V / 48V c.c. 700mA
AE016	Switching 24 V, 100 W
AE017/1	Switching 24 V, 200 W
GKIT33	Cable KIT start/end
RFI63/1	Starting line connector 2 poles with 25 cm (9.84 in) cable bare end (Female)
RCN63/L	Closing line connector (Male)

**1 Channel**

01 → Master Dimmer

Drawing Size



● Coemar Lighting S.r.l.

Via Carpenedolo, 90  
46043, Castiglione delle Stiviere (MN) – Italy

P. +39 0376 1514412

M1. info@coemar.com

M2. service@coemar.com

W. coemar.com

P.iva – C.f. 02415330204

