



Soft Panel 350 FullSpectrum

Last update:
30/04/2025



Soft Panel 350 FS

Introducing

● **The Soft Panel 350 FS** is an ideal floodlight for photography, TV studios, conference rooms, shopping malls, and more. Its exceptional soft light characteristics make it highly versatile and widely used. Additionally, it can be powered by an external battery

Key Features



- RGB, Warm White, Cold White color mixing
- 2 areas pixel control



- CRI > 96, TLCI > 98



- 2.700 K ~ 10.000 K



- IP20



- 110° beam angle



- Fan

General	
● LED Source	RGB, Warm White, Cold White LEDs with HUE and saturation control, 2 areas pixel control
● CCT Range	●●●●● 2.700 K → 10.000 K
● Color Rendition Average	CRI > 96, TLCI > 98
● Dimming	8 or 16 bit, 4 selectable curves: Linearity, Exponent, S and Logarithmic
● Green-magenta adjustment	Continuously adjustable (Full Minusgreen to Full Plusgreen)
● Color Modes	CCT, HSI, GEL, RGBCW, CIE (XY Coordinates)
● Strobe	Electronic strobe
● Beam Angle	110° beam angle
● L80 Rating (hours to 80% output)	50.000 Hours

Electrical	
● Voltage Input	AC 100~240 V, 50/60 Hz
● Battery DC Voltage	26 V
● Power Consumption	350 W @ max power
● Power Connection	Powercon TRUE 1 In/Out
● Data Connection	5 pin locking XLR connector

Thermal	
● Ambient Operating Temperature	-40°C - +40°C (-40°F - 104°F)
● Cooling	Yes, 4 different fan settings: Auto, High Speed, Low Speed, Close

Control	
● Protocols	DMX-512, RDM (Remote Device Management), CRMX Wireless (optional by LumenRadio)
● RDM configuratons	Yes
● DMX Channels	CCT & RGBCW (11 ch @ 8 bit or 20 ch @ 16 bit) CCT & HSI (8 ch @ 8 bit or 14 ch @ 16 bit) CCT (5 ch @ 8 bit or 8 ch @ 16 bit) HSI (5 ch @ 8 bit or 8 ch @ 16 bit) RGBCW (8 ch @ 8 bit or 14 ch @ 16 bit) XY (5 ch @ 8 bit or 8 ch @ 16 bit) RGBCW 21 ch @ 8 bit
● Remote Mode Channels	CCT, HSI, RGBW, XY, GEL, EFFECT
● Display	LCD color display
● Firmware Upgrade	Through DMX

Physical	
● Mounting Options	Single yoke suitable for safe hanging, Spigot (28 mm / 1.1 in), Junior Pin
● Materials	Metal housing
● Length	737 mm / 29.1 lbs
● Height	316.5 mm / 12.5 in - with brackets: 382.5 mm / 15.1 in
● Width	173 mm / 6.8 in
● Weight	10.5 Kg / 23.2 lbs
● IP Rating	IP20
● Color options	Grey and black (standard)

General Accessories	
Bandoor	

Optional Accessories	
Honey Grid	
Soft Box	

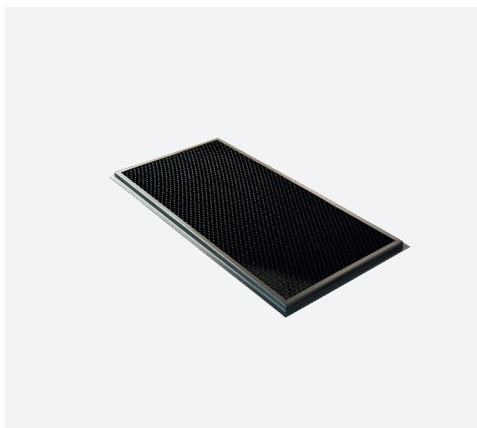


Soft Panel 350 FS rear panel

Accessories



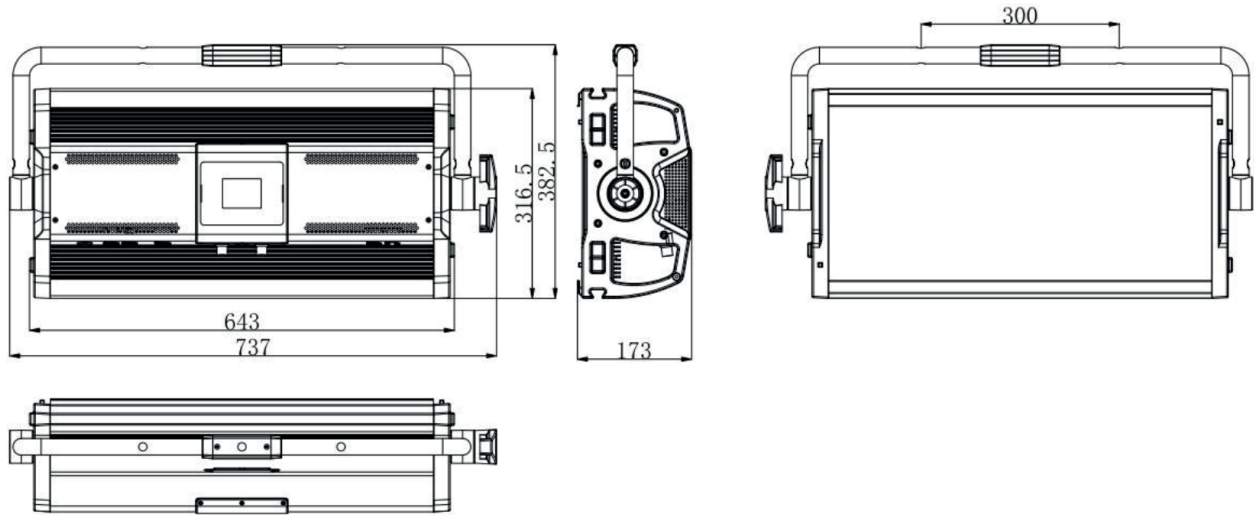
Barndoor



Honey Grid



Soft Box

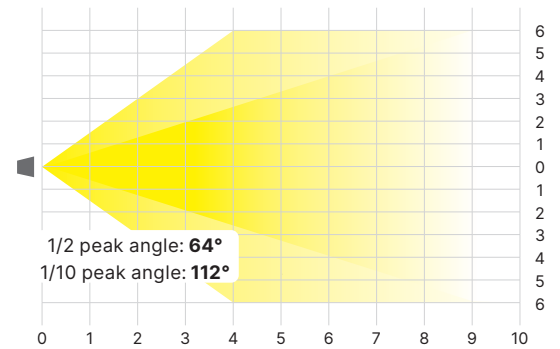


Photometrical Data

Soft Panel 350 FS

Measurements taken with fan in AUTO mode

Distance (m)	1	2	3	4	5	6	7	8	9	10
3.200 K	13266	3317	1474	829	531	369	271	207	164	133
5.600 K	13644	3411	1516	853	546	379	278	213	168	136
1/2 P.A. Ø (m)	1.25	2.50	3.75	5.00	6.25	7.50	8.75	10.00	11.25	12.50
1/10 P.A. Ø (m)	2.97	5.93	8.90	11.86	14.83	17.79	20.76	23.72	26.69	29.65
3.200 K - CRI: 973, TLCI: 98.4										
5.600 K - CRI: 96.9, TLCI: 98.4										



● Coemar Lighting S.r.l.

Via Carpenedolo, 90
46043, Castiglione delle Stiviere (MN) – Italy

P. +39 0376 1514412

M1. info@coemar.com

M2. service@coemar.com

W. coemar.com

P.iva – C.f. 02415330204

