




Soft Panel 350 VariWhite



 Tunable White from 2.700 to 6.500 K

 High CRI > 96, TLCI > 97

 110° beam angle

GENERAL

LED Details	288 Warm White and 288 Cold White LEDs
CCT	From 2.700 K to 6.500 K (built-in programs)
Color Rendition Average	CRI > 96, TLCI > 97
Average LED Lifetime	50.000 hours
Dimming	0-100% linear adjustment, 4 dimming curves
Camera flicker free/Khz range	Yes, from 2 Khz to 25 Khz
Beam Angle	110°
Cooling	Silent fan

ELECTRICAL

Voltage Input	AC 100~240 V, 50/60 Hz
Maximum Power Consumption	350 W
Power Connectors	PowerCON In/Out
Data Connectors	3 or 5 pin locking XLR connectors, RJ45

CONTROL OPTIONS

Protocols	DMX512, RDM, Master-Slave mode, Wireless Lumen-Radio (optional)
DMX Channels	7 / 3
Display	LCD display

PHYSICAL

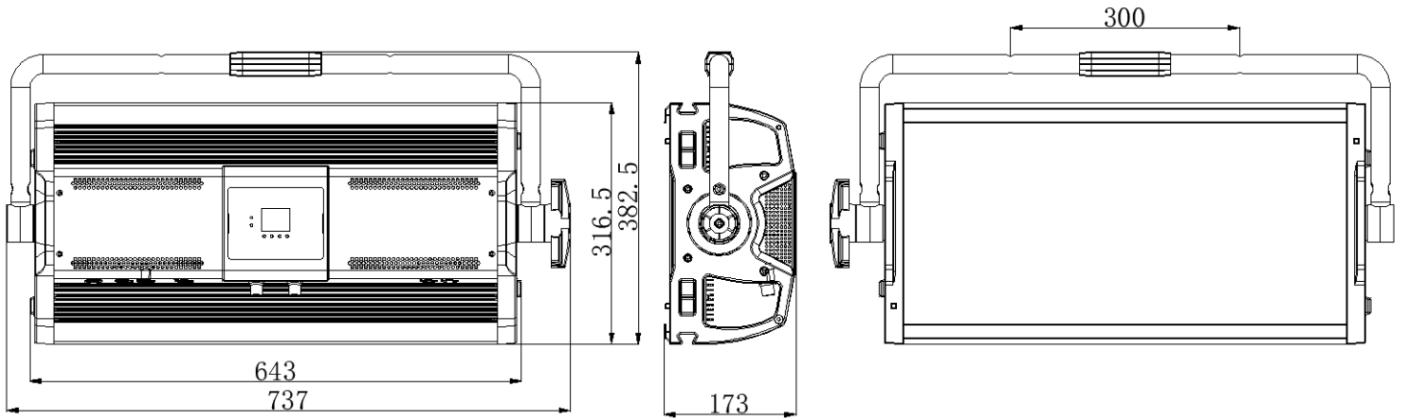
Housing Color	Black
Housing Materials	Aluminum
Mounting Options	Any safe working position, Spigot (28 mm / 1.1 in), Junior Pin
Length	737 mm (29.02 in)
Width	173 mm (6.81 in)
Height	382.5 mm (15.06 in)
Weight	11.8 kg (26.02 lbs)
IP Rating	IP20

ACCESSORIES

4-leaf barndoor
Honeycomb grid
Soft Box

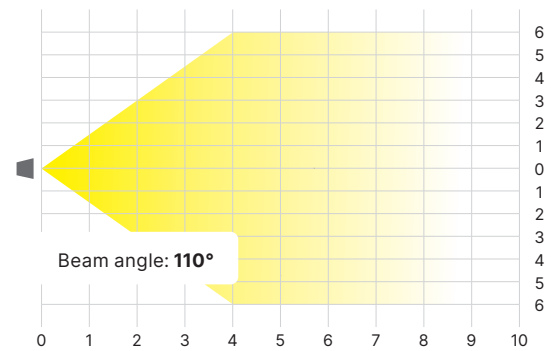
Soft Panel 350 VariWhite

DRAWING SIZE

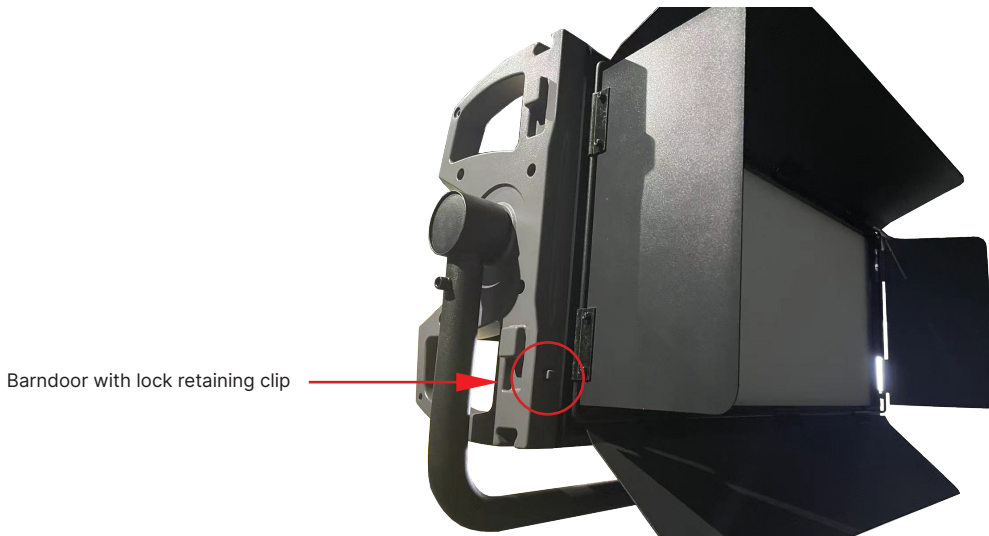


PHOTOMETRIC DATA

Distance (m)	1	2	3	4	5	6	7	8	9	10	
Lux	2.700 K	21840	5460	2427	1365	874	607	446	341	270	218
	6.000 K	24256	6064	2695	1516	970	674	495	379	299	243
Diameter Ø (m)	2.86	5.71	8.57	11.46	14.28	17.14	19.99	22.85	25.71	28.56	



ACCESSORIES



Coemar Lighting S.r.l.

Via Carpenedolo, 90
46043, Castiglione delle Stiviere (MN) – Italy

P. +39 0376 1514412
M1. info@coemar.com
M2. service@coemar.com
W. coemar.com

P.iva – C.f. 02415330204

