

Thor 400 RGBWW

Last update:
20/10/2025



Thor 400 RGBWW

Introducing

● **The Thor 400 RGBWW** is an ideal floodlight for photography, TV studios, conference rooms, shopping malls, and more. Its exceptional soft light characteristics make it highly versatile and widely used. Additionally, it can be powered by an external battery

Key Features



● RGBWW color mixing



● CRI > 95, TLCI > 98



● 2.700 K ~ 10.000 K



● IP65



● Without Soft Diffuser: 1/2 p.a. 24°, 1/10 p.a. 41°
 ● With Soft Diffuser: 1/2 p.a. 42°, 1/10 p.a. 105°
 ● With Acrylic Diffuser: 1/2 p.a. 48°, 1/10 p.a. 95°
 ● Optional Lens 10°



● Fan



With Diffuser



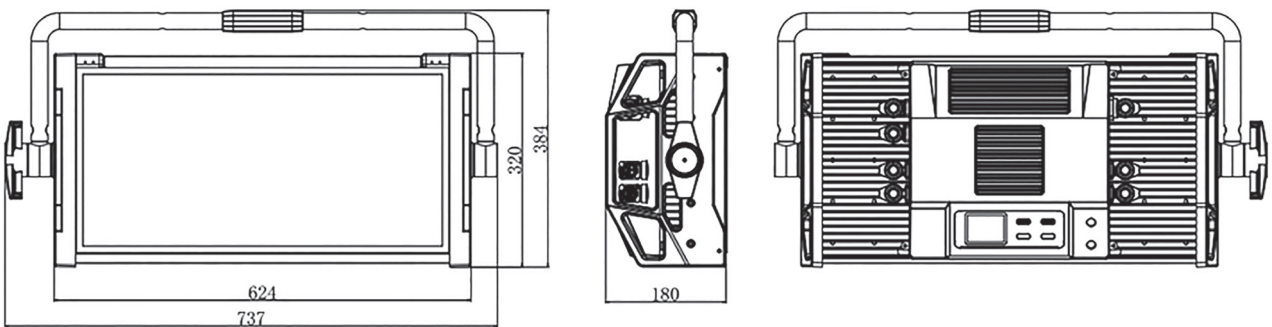
With Acrylic Diffuser

General	
● LED Source	RGB, Warm White, Cold White LEDs with HUE and saturation control
● CCT Range	● ● ● ● ● 2.700 K → 10.000 K
● Color Rendition Average	CRI > 95, TLCI > 98
● Dimming	8 or 16 bit, 4 selectable curves: Linearity, Exponent, S and Logarithmic
● Green-magenta adjustment	Continuously adjustable (Full Minusgreen to Full Plusgreen)
● Color Modes	CCT, HSI, GEL, RGBCW, CIE (XY Coordinates)
● Strobe	Electronic strobe
● Beam Angle	Without Soft Diffuser: 1/2 p.a. 24°, 1/10 p.a. 41° With Soft Diffuser: 1/2 p.a. 42°, 1/10 p.a. 105° With Acrylic Diffuser: 1/2 p.a. 48°, 1/10 p.a. 95° Optional Lens 10°
● Effects	10 special effects (candle light, process, club light, color streamer, cop car, fire, fireworks, flicker, lightning, paparazzi, pulse, television)
● L80 Rating (hours to 80% output)	50.000 Hours
Electrical	
● Voltage Input	AC 100~240 V, 50/60 Hz
● Battery DC Voltage	26 V
● Power Consumption	400 W Maximum
● Power Connection	IP65 Powercon TRUE 1 In/Out
● Data Connection	IP65 locking XLR connector
Thermal	
● Ambient Operating Temperature	-40°C - +40°C (-40°F - 104°F)
● Cooling	Yes, 4 different fan settings: Auto, High Speed, Low Speed, Close
Control	
● Protocols	DMX-512, RDM (Remote Device Management), CRMX Wireless (optional by LumenRadio), Master/Slave
● RDM configuratons	Yes
● DMX Channels	CCT & RGBCW (11 ch @ 8 bit or 20 ch @ 16 bit) CCT & HSI (8 ch @ 8 bit or 14 ch @ 16 bit) CCT (5 ch @ 8 bit or 8 ch @ 16 bit) HSI (5 ch @ 8 bit or 8 ch @ 16 bit) RGBCW (8 ch @ 8 bit or 14 ch @ 16 bit) XY (5 ch @ 8 bit or 8 ch @ 16 bit) RGBCW 21 ch @ 8 bit
● Remote Mode Channels	CCT, HSI, RGBWW, XY, GEL, EFFECT
● Display	LCD color display
● Firmware Upgrade	Through DMX
Physical	
● Mounting Options	Single yoke suitable for safe hanging, Spigot (28 mm / 1.1 in), Junior Pin
● Materials	Metal housing
● Length	737 mm / 29.1 lbs
● Height	320 mm / 12.6 in - with brackets: 384 mm / 15.1 in
● Width	180 mm / 7.1 in
● Weight	20 Kg / 44.1 lbs
● IP Rating	IP65
● Color options	Grey and black (standard)
General Accessories	
	Optional lens 10°
	IP65 diffuser
	IP65 acrylic soft diffuse
	Soft box for studio panels



Thor 400 RGBWW rear panel

Drawing Size

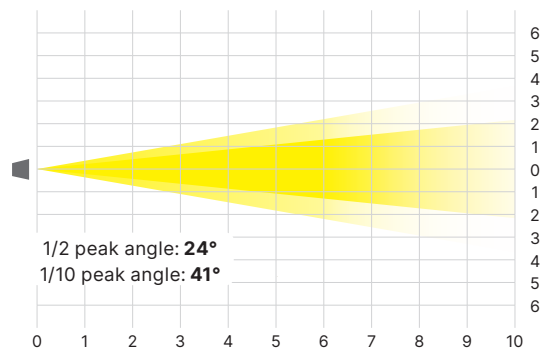


Thor 400 RGBWW

Measurements taken with fan in AUTO mode

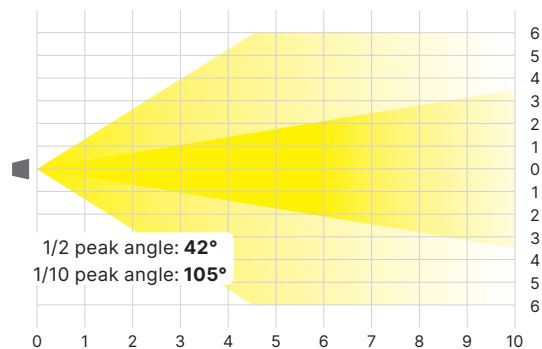
Without Soft Diffuser

Distance (m)	1	2	3	4	5	6	7	8	9	10
3.200 K	73107	18277	8123	4569	2924	2031	1492	1142	903	731
5.600 K	88074	22019	9786	5505	3523	2447	1797	1376	1087	881
1/2 P.A. Ø (m)	0.43	0.85	1.28	1.70	2.13	2.55	2.98	3.40	3.83	4.25
1/10 P.A. Ø (m)	0.75	1.50	2.24	2.99	3.74	4.49	5.23	5.98	6.73	7.48
3.200 K - CRI: 96.3, TLCI: 98.7										
5.600 K - CRI: 95.2, TLCI: 98.8										



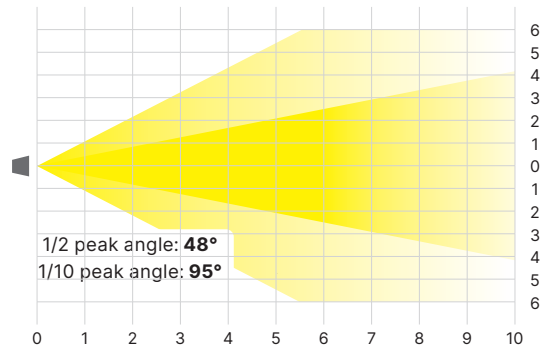
With Soft Diffuser

Distance (m)	1	2	3	4	5	6	7	8	9	10
3.200 K	7011	1753	779	438	280	195	143	110	87	70
5.600 K	8343	2086	927	521	334	232	170	130	103	83
1/2 P.A. Ø (m)	0.77	1.54	2.30	3.07	3.84	4.61	5.37	6.14	6.91	7.68
1/10 P.A. Ø (m)	2.61	5.21	7.82	10.43	13.03	15.64	18.25	20.85	23.46	26.06
3.200 K - CRI: 96, TLCI: 98.8										
5.600 K - CRI: 95.3, TLCI: 98.9										



With Acrylic Soft Diffuser

Distance (m)	1	2	3	4	5	6	7	8	9	10
3.200 K	10368	2592	1152	648	415	288	212	162	128	104
5.600 K	11367	2842	1263	710	455	316	232	178	140	114
1/2 P.A. Ø (m)	0.89	1.78	2.67	3.56	4.45	5.34	6.23	7.12	8.01	8.90
1/10 P.A. Ø (m)	2.18	4.37	6.55	8.73	10.91	13.10	15.28	17.46	19.64	21.83
3.200 K - CRI: 95.2, TLCI: 98.7										
5.600 K - CRI: 93.8, TLCI: 98										



● Coemar Lighting S.r.l.

Via Carpenedolo, 90
46043, Castiglione delle Stiviere (MN) – Italy

P. +39 0376 1514412

M1. info@coemar.com

M2. service@coemar.com

W. coemar.com

P.iva – C.f. 02415330204

